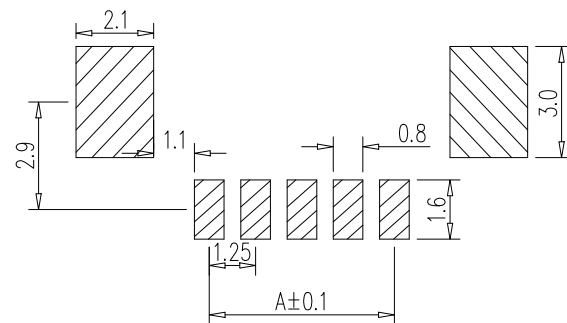


HSF



ROHS

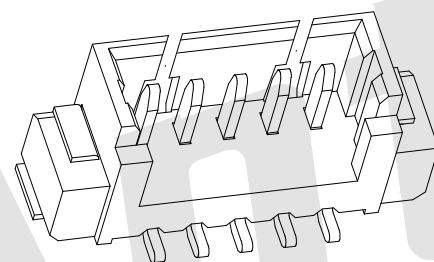
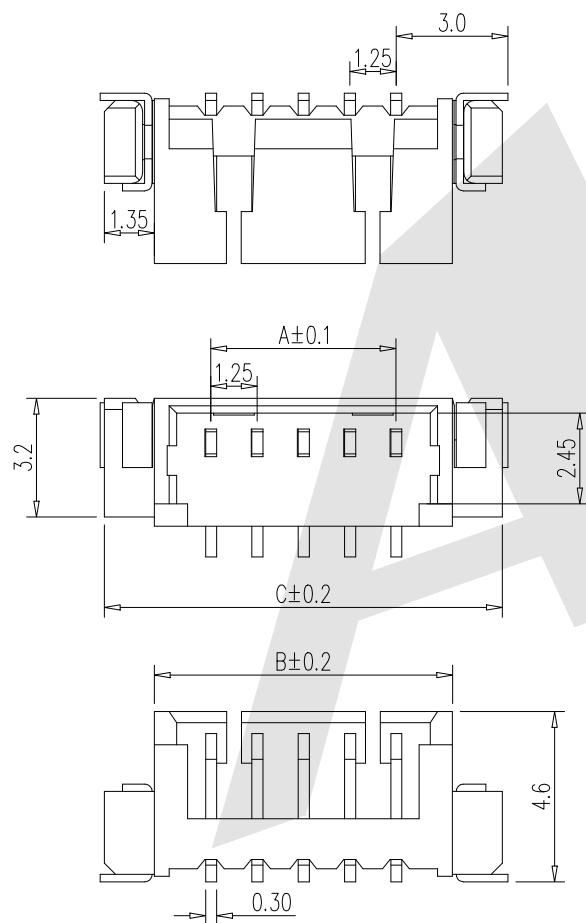


SPECIFICATIONS

- Voltage rating:125V AC,DC
- Current rating:1A AC,DC
- Withstanding Voltage:500V AC/minute
- Insulation resistance:100MΩ min
- Temperature range:-40℃~+105℃

WAFER

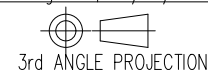
- Part NO :AW1251V-S-xP
- Material:Pin:Phosphor Bronze/Tin over Nickel
Solder Tabs:Phosphor Bronze/Tin over Nickel
Insulator:Nylon 6T, UL94V-0
- Mates with :AH1251 series Housing
- Color: Ivory



Part No.	A	B	C
AW1251V-S-2P	1.25mm	4.32mm	7.02mm
AW1251V-S-3P	2.50mm	5.57mm	8.27mm
AW1251V-S-4P	3.75mm	6.82mm	9.52mm
AW1251V-S-5P	5.00mm	8.07mm	10.77mm
AW1251V-S-6P	6.25mm	9.32mm	12.02mm
AW1251V-S-7P	7.50mm	10.57mm	13.27mm
AW1251V-S-8P	8.75mm	11.82mm	14.52mm
AW1251V-S-9P	10.00mm	13.07mm	15.77mm
AW1251V-S-10P	11.25mm	14.32mm	17.02mm
AW1251V-S-11P	12.50mm	15.57mm	18.27mm
AW1251V-S-12P	13.75mm	16.82mm	19.52mm
AW1251V-S-13P	15.00mm	18.07mm	20.77mm
AW1251V-S-14P	16.25mm	19.32mm	22.02mm
AW1251V-S-15P	17.50mm	20.57mm	23.27mm
AW1251V-S-16P	18.75mm	21.82mm	24.52mm

Unless Otherwise specified tolerance
 X.±0.35 X.XX:±0.20
 X.X:±0.25 X.XXX:±0.15

SCALE: As Shown UNIT: mm
 DRAW ZLA DATE 08/04/2022
 CHECK BobYang DATE 08/04/2022



Antenk® ANTENK ELECTRONICS CO.,LTD
 Http://www.antenk.com
 E-mail:sales@antenk.com

TITLE:
 1.25mm pitch 180°Wafer-SMT Connector Series

DRAWING NO: AW1251V-S-xP

PRODUCT NO: AW1251V-S-xP

Replace the drawings

08/05/2022

DESCRIPTION

DATE

REV