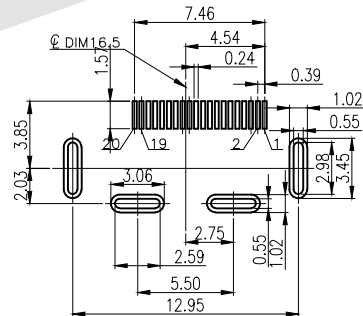
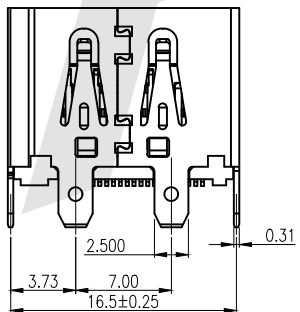
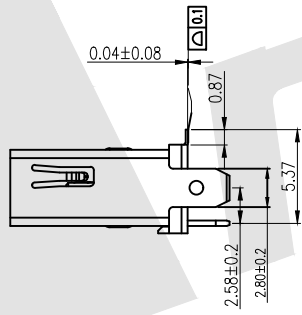
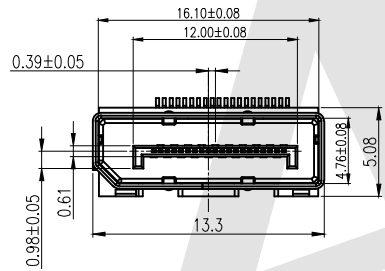
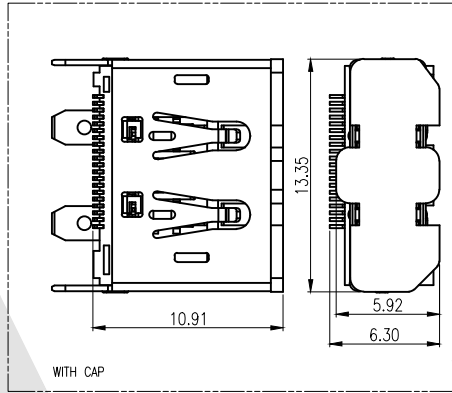
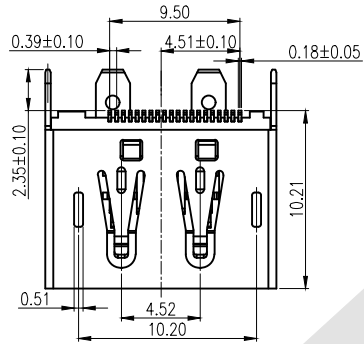


HSF



ROHS



RECOMMEND P.C.B. LAYOUT(TOP VIEW)  
(P.C.B THICKNESS=1.60mm)

MATERIALS

- HOUSING : L. C. P. (UL 94V-0), BLACK
- TERMINAL : BRASS (C2680), GOLD FLASH PLATING ON CONTACT AREA, MATTE TIN PLATING ON SOLDER TAIL, UNDER NICKEL PLATING OVER ALL.
- SHELL : S50C, NICKEL PLATING

SPECIFICATION

- CURRENT RATING : 0.5 A MAX.
- DIELECTRIC WITHSTANDING VOLTAGE : 500V AC R. M. S. FOR ONE MINUTE.
- INSULATION RESISTANCE : 100M OHMS MIN.
- CONTACT RESISTANCE : 30m OHMS MAX.
- OPERATING TEMPERATURE : -20° C TO +85° C.
- INSERTION FORCE : 4.5kgf MAX.
- EXTRACTION FORCE : 1.0~4.0kgf MIN.
- SALT SPRAY : 24 HOURS PASS.
- REFLOW SOLDERING(SMD COMPONENT) OVEN TEMPERATURE:260° C. 5SEC

Ordering Code:

DP - F - X - X - 18  
① ② ③ ④ ⑤

① Series No:

② Male / female:

F: female

③ Contact Plating:

- Selective 1u"
- Selective 3u"
- Selective 5u"
- Selective 15u"
- Selective 30u"
- All Gold

④ Shell Plating:

- Nickel Plated
- Tin-Nickel Plated
- Gold Plated

⑤ Series Numer:

18

Unless Otherwise specified tolerance  
X. ±0.35 X.XX:±0.20  
X.X:±0.25 X.XXX:±0.15

SCALE: As Shown	UNIT: mm
DRAW ZLA	DATE 26/03/2022
CHECK BobYang	DATE 26/03/2022

**Antenk** ANTENK ELECTRONICS CO., LTD  
Http://www.antenk.com  
E-mail:sales@antenk.com

TITLE:  
Display Port Female 180° DIP 13.0H



DRAWING NO: DP-FXX18

PRODUCT NO: DP-FXX18

REV DESCRIPTION

DATE

1 2 3 4 5 6 7 8