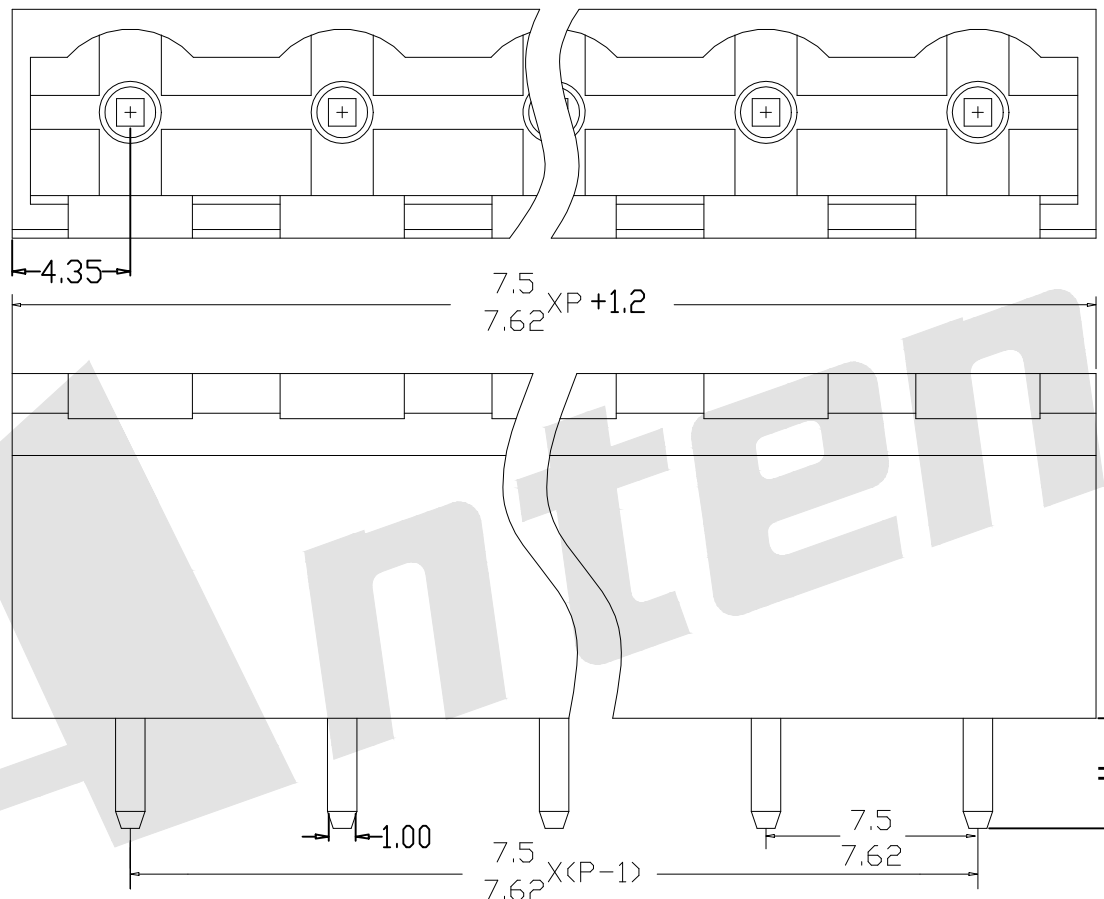
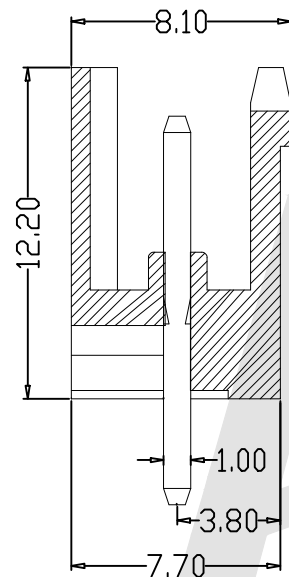


HSF



ROHS



SPECIFICATION

Voltage Rating (额定电压): 300V

Current Rating (额定电流): 12A

Housing (塑件):  
PA66+23%GF, UL94V-0

Terminal (端子):  
Brass. Tin Plated (黄铜, 镀锡)

AT2500V - 7.5/7.62 - XX - X - X -PQ

Pitch: 7.5: 7.5mm 7.62: 7.62mm

Poles: 02: 2 Contacts 03: 3 Contacts ... 24: 24 Contacts

Insulator color: A:Green B:Blue C:Black G:Gray O:Orange

Option A:Type1 H=3.90±0.20 B:Type2 H=2.60±0.20

PQ:Series number

Unless Otherwise specified tolerance  
X. ±0.35 X.XX: ±0.20  
X.X: ±0.25 X.XXX: ±0.15

**Antenk**® ANTENK ELECTRONICS CO.,LTD  
Http://www.antenk.com  
E-mail:sales@antenk.com

SCALE: As Shown UNIT: mm

DRAW Wu Sai DATE 22/03/2018

CHECK BobYang DATE 22/03/2018

TITLE: Plug-in Terminal Block  
Close Vertical Pitch:7.5/7.62

DRAWING NO: AT2500V-7.5/7.62XXX-PQ

PRODUCT NO: AT2500V-7.5/7.62XXX-PQ



REV	DESCRIPTION	DATE
1		
2		
3		
4		
5		
6		
7		
8		