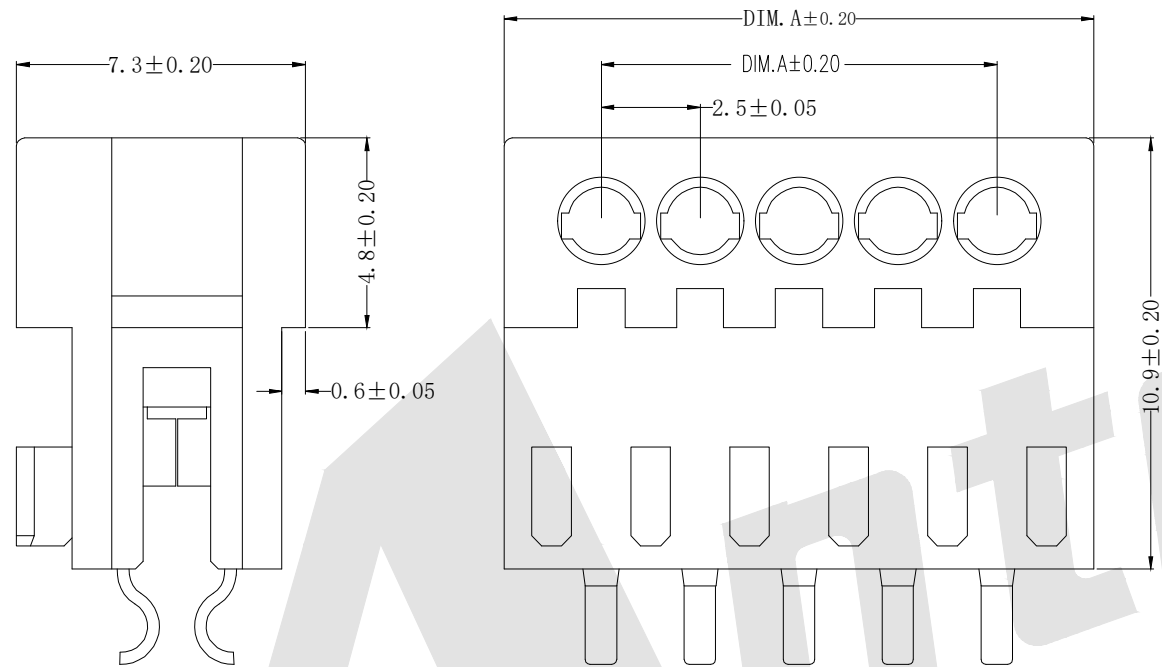


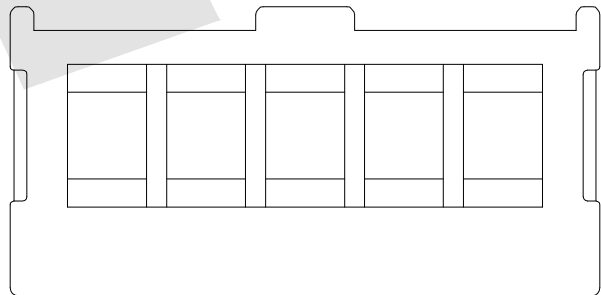
HSF



技术参数 SPECIFICATIONS
 温度范围 Temperature range : -40°C~+120°C
 额定电压 Voltage rating > 32V. AC/DC
 额定电流 Current rating : 3A
 接触电阻 Contact resistance: $\leq 10\text{m}\Omega$
 绝缘电阻 Insulation resistance >math>\geq 1000\text{M}\Omega</math>
 材料 (Material)
 胶芯: PA66 UL94V-0
 插针 Terminal: 黄铜 Brass Tin plated



Part No: AW2518D-xP
 Series No. No. of Pos.



11	29.90	25.00					
10	27.40	22.50					
9	24.90	20.00					
8	22.40	17.50					
7	19.90	15.00					
6	17.40	12.50					
5	14.90	10.00		
4	12.40	7.50		14	37.40	32.50	
3	9.90	5.00		13	34.90	30.00	
2	7.40	2.50		12	32.40	27.50	
POS.	DIM.A	DIM.B		POS.	DIM.A	DIM.B	

Unless Otherwise specified tolerance
 X.±0.35 X.XX:±0.20
 X.X:±0.25 X.XXX:±0.15

SCALE: As Shown UNIT: mm
 DRAW ZLA DATE 06/25/2023
 CHECK BobYang DATE 06/25/2023

VER./版本号 3rd ANGLE PROJECTION

Antenk ANTEK ELECTRONICS CO.,LTD
 Http://www.antenk.com
 E-mail:sales@antenk.com

TITLE: 2.50 Pitch Single Row Wafer Connector IDC Type

DRAWING NO: AW2518D-xP
 PRODUCT NO: AW2518D-xP

MK/标记							
		DESCRIPTION/修订内容			DATE/日期(M/D/Y)		