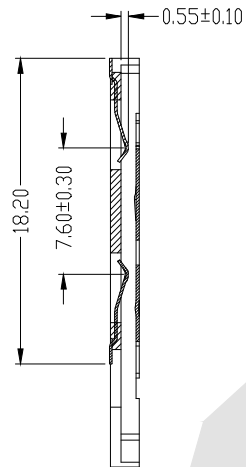


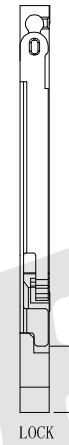
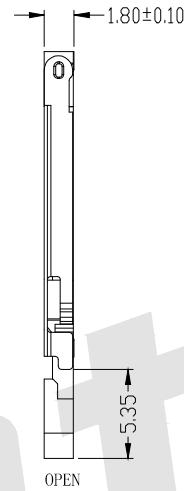
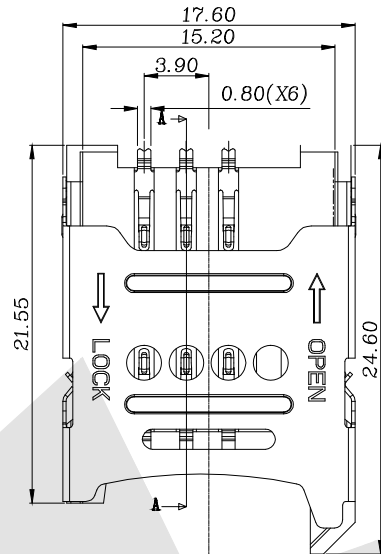
HSF



ROHS



SECTION A-A



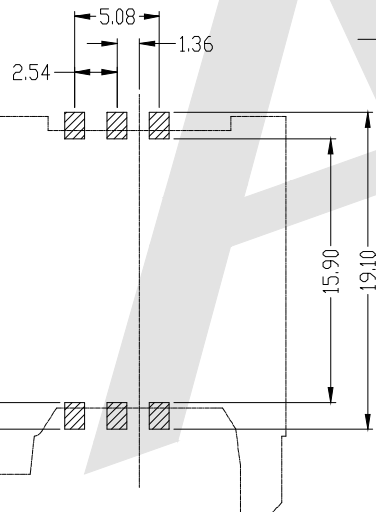
NOTES:

- 1.0 RATING
- 1.1 VOLTAGE: 12 VAC (rms)
- 1.2 CURRENT: 1 AMPERES MAX. PER CONTACT
- 1.3 OPERATION TEMPERATURE RANGE: -25°C~+70°C
- 2.0 ELECTRIC CHARACTERISTICS:
- 2.1 CONTACT RESISTANCE: 60mΩ
- 2.2 INSULATION RESISTANCE: 1000mΩ
- 2.3 DIELECTRIC WITHSTANDING VOLTAGE: 500V AC FOR 1 MINUTE
- 3.0 OPERATION LIFE: 5000 CYCLES

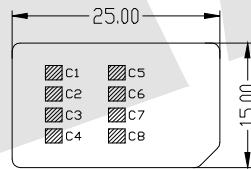
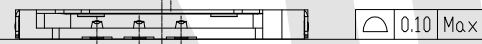
Ordering Code:

ATK - SIM - 6 - B - 180 - A - 035
 ① ② ③ ④ ⑤ ⑥

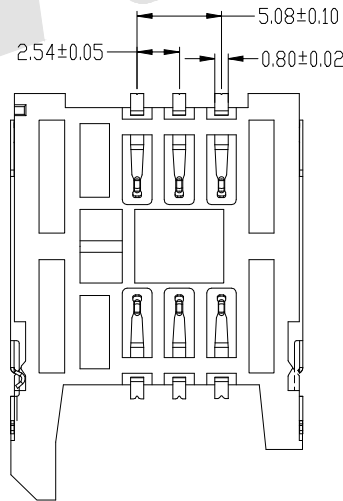
- ① Company Name: ATK
- ② Pin Number: 6
- ③ Registration Mast: A:With Boss B:Without Boss
- ④ Height: 180=1.80mm
- ⑤ Packing: A:Tray T:Tube R:Tape&Reel
- ⑥ Series Number: 035



RECOMMENDED PCB LAYOUT
Tolerance: ± 0.05



PIN NO.	PIN NAME
C1	Supply Voltage Vcc
C2	Reset (RST)
C3	Clock (GLE)
C4	NA
C5	Ground
C6	Programing Voltage VPP
C7	I/O
C8	NA



Unless Otherwise specified tolerance
 X. ±0.35 X.XX: ±0.20
 X.X: ±0.25 X.XXX: ±0.15

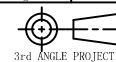
SCALE: As Shown	UNIT: mm
DRAW ZLA	DATE 23/02/2022
CHECK BobYang	DATE 23/02/2022

Antenk ANTENK ELECTRONICS CO., LTD
[Http://www.antenk.com](http://www.antenk.com)
 E-mail:sales@antenk.com

TITLE:
SIM Card 6P Hinge type 1.8H Connector

DRAWING NO: ATK-SIM-6-B-180-A-035

PRODUCT NO: ATK-SIM-6-B-180-A-035



3rd ANGLE PROJECTION

REV	DESCRIPTION	DATE