



Ordering Information:

AW1501V-XP - **
1 2

1.Part No.

2.Color:

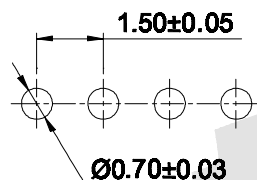
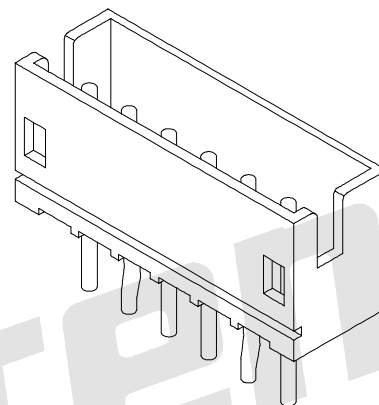
(blank):Brown
WH:White

SPECIFICATIONS

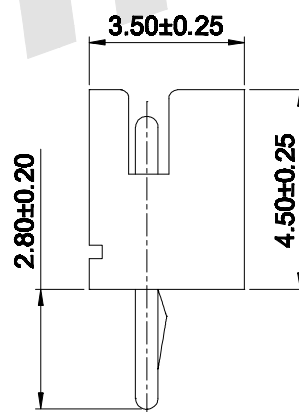
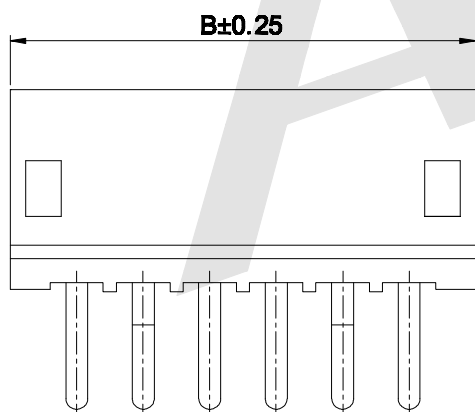
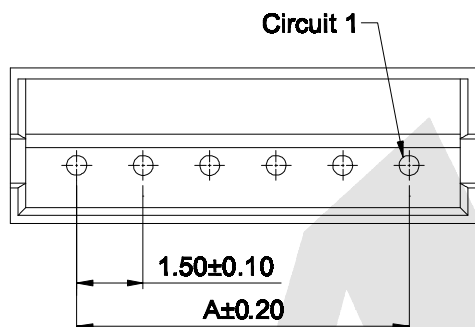
- Voltage rating: 100V AC,DC
- Current rating: 1A AC,DC
- Withstanding Voltage: 500V AC/minute
- Insulation resistance:500MΩ min
- Temperature range: -40℃~+105℃

WAFER

- Part NO: AW1501V-xP
- Material: Pin: Brass/Tin over Nickel
Insulator: Nylon 66, UL94V-0
- Mates with: AH1501 series Housing
- Color: Brown



P.C.B LAYOUT



Ordering Information & Dimensions:

Poles	Part No.	Dimensions (mm)	
		A	B
02	AW1501V-02P	1.50	4.50
03	AW1501V-03P	3.00	6.00
04	AW1501V-04P	4.50	7.50
05	AW1501V-05P	6.00	9.00
06	AW1501V-06P	7.50	10.50
07	AW1501V-07P	9.00	12.00
08	AW1501V-08P	10.50	13.50
09	AW1501V-09P	12.00	15.00
10	AW1501V-10P	13.50	16.50
11	AW1501V-11P	15.00	18.00
12	AW1501V-12P	16.50	19.50
13	AW1501V-13P	18.00	21.00
15	AW1501V-15P	21.00	24.00

Unit:mm

Unless Otherwise specified tolerance
 X ±0.35 X,XX:±0.20
 X,X:±0.25 X,XXX:±0.15

SCALE: As Shown UNIT: mm
 DRAW Jack Bao DATE 12/15/2017
 CHECK Bob Yang DATE 12/15/2017



Antenk ANTENK ELECTRONICS CO.,LTD
 Http://www.antenk.com
 E-mail:sales@antenk.com

TITLE: 1.50mm pitch 180° Wafer Connector Series

DRAWING NO: AW1501V-xP

PRODUCT NO: AW1501V-xP

REV	DESCRIPTION	DATE
1		
2		