

HSF



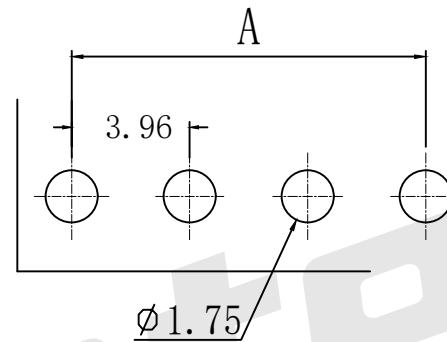
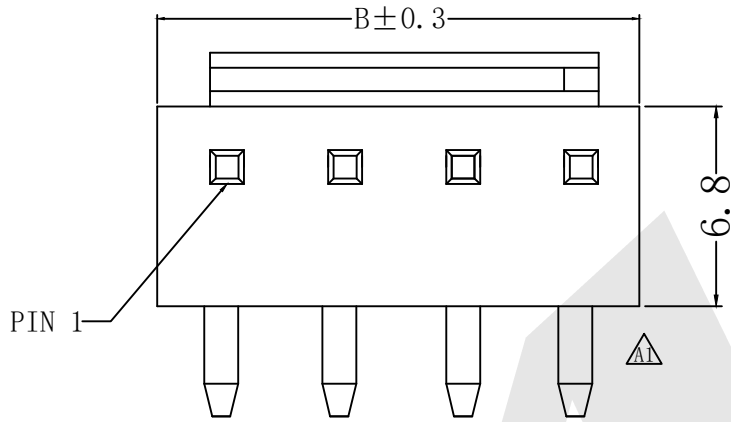
ROHS

SPECIFICATIONS

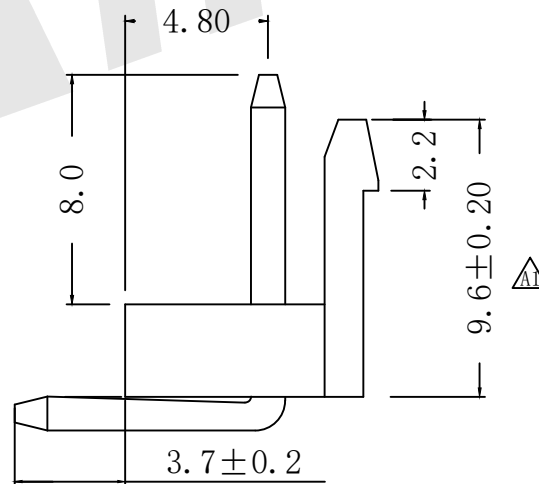
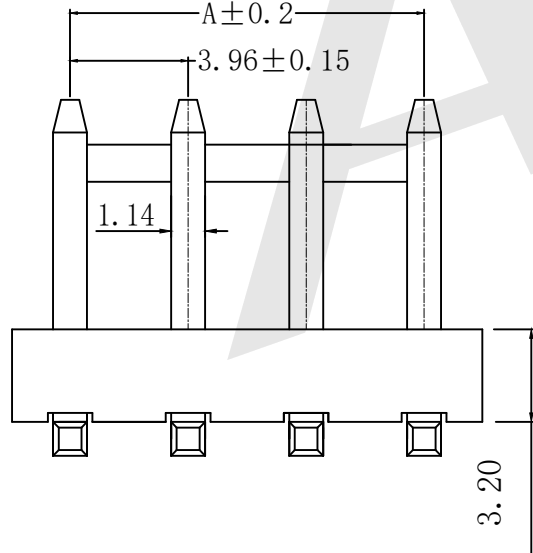
Pitch:3.96
 Poles: 2~15
 Voltage rating: 250V AC,DC,
 Current rating: 5.0A, AC,DC
 Withstand voltage: 1500V AC/minute
 Working Temperature: -25 C~+85 C
 Insulation resistance: ≥1000 MΩ
 Contact resistance: ≤ < 0.02 Ω

MATERIAL

Housing:Nylon UL94V-0
 Terminal Phosphor bronze



P. C. B Layout



Poles	Part No.	Dimensions (mm)	
		A	B
2	AW3961RP-02P	3.96	7.86
3	AW3961RP-03P	7.92	11.82
4	AW3961RP-04P	11.88	15.78
5	AW3961RP-05P	15.84	19.74
6	AW3961RP-06P	19.80	23.70
7	AW3961RP-07P	23.76	27.66
8	AW3961RP-08P	27.72	31.62
9	AW3961RP-09P	31.68	35.58
10	AW3961RP-10P	35.64	39.54
11	AW3961RP-11P	39.60	43.50
12	AW3961RP-12P	43.56	47.46
13	AW3961RP-13P	47.52	51.42
14	AW3961RP-14P	51.48	55.38
15	AW3961RP-15P	55.44	59.34

Unless Otherwise specified tolerance
 X. ±0.35 X.XX: ±0.20
 X.X: ±0.25 X.XXX: ±0.15

SCALE: As Shown UNIT: mm
 DRAW Lv Xun Hua DATE 22/05/2019
 CHECK Bob Yang DATE 22/05/2019

Antenk® ANTENK ELECTRONICS CO.,LTD
 Http://www.antenk.com
 E-mail:sales@antenk.com

TITLE:VH3.96mm 90° Wafer Connector Series

△	Change:9.4->9.6 Delete:3.70, 8.50	07/03/2024
REV	DESCRIPTION	DATE

VER A1
 3rd ANGLE PROJECTION

DRAWING NO: AW3961RP-NP
 PRODUCT NO: AW3961RP-NP