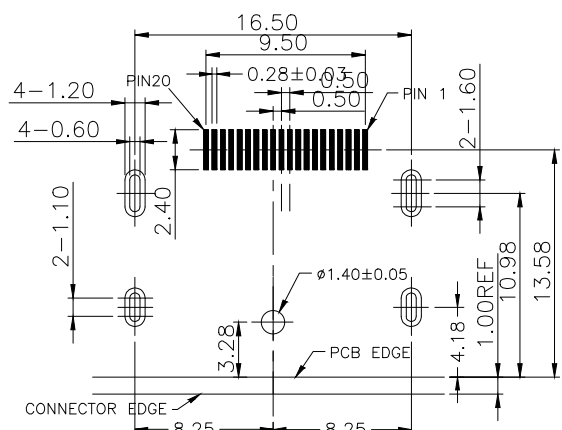
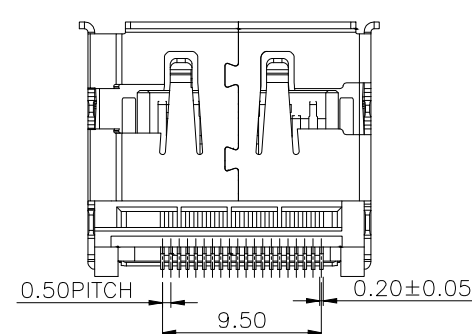
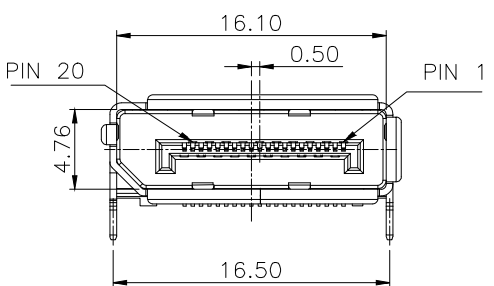
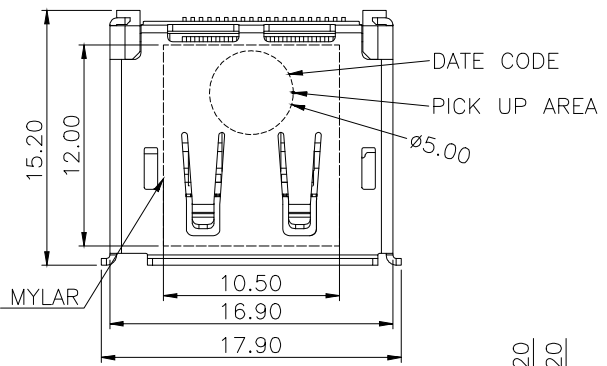
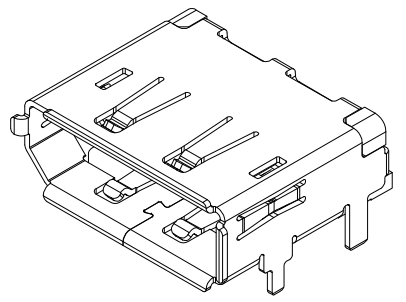
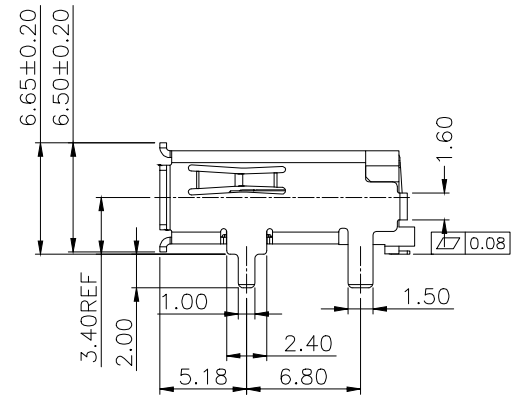


HSF

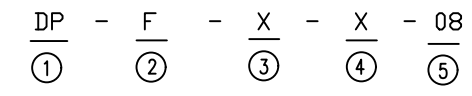


RECOMMENDED P.C.B LAYOUT(PCB THICKNESS: 1.6mm)
COMPONENT SIDE VIEW(TOLERANCE: ±0.05)



- NOTE:
- MATERIAL:
 - HOUSING: LCP, UL 94V-0
COLOR: BLACK.
 - CONTACT: C2680, T=0.20mm.
 - SHIELD: C2680, T=0.40mm.
 - COVER: LCP, UL 94V-0
 - FINISH:
 - CONTACT: GOLD(1U") PLATING IN CONTACT AREA, 80u" MIN Tin PLATED IN SOLDER AREA, 50u" MIN. NICKEL UNDERPLATED OVERALL.
 - SHIELD: 50u" MIN. NICKEL UNDERPLATED OVERALL.
 - MECHANICAL CHARACTERISTICS
 - RATING CURRENT: 0.5A
 - RATING VOLTAGE: 40V
 - CONTACT RESISTANCE: 40 mΩ MAX
 - INSULATION RESISTANCE:
 - UNMATED: 100MΩ MIN AT 500 VDC
 - MATED: 10M OHMS MIN AT 150 VDC
 - DIELECTRIC WITHSTANDING VOLTAGE: 500V AC/1MINUTE
 - DURABILITY: 10000 CYCLES.
 - MATING FORCE: 4.5KGF MAX.
UNMATING FORCE: 1~4 KGF.
 - OPERATING TEMPERATURE: -20°C--+85°C
 - STORAGE TEMPERATURE: -20°C--+65°C
 - NOTES:
 - ALL COMPONENTS ARE RoHS COMPLIANT.
 - RESISTANCE TO SOLDERING HEAT: 265°C FOR 10 SECONDS.

Ordering Code:



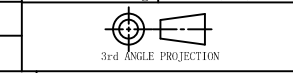
- ① Series No:
- ② Male / female:
F: female
- ③ Contact Plating:
1: Selective 1u"
2: Selective 3u"
3: Selective 5u"
4: Selective 15u"
5: Selective 30u"
6: All Gold
- ④ Shell Plating:
1:Nickl Platk
2:Tin-Lkad Plated
3:Gold Platkd
- ⑤ Series Number:
08

Unless Otherwise specified tolerance
X. ±0.35 X.XX: ±0.20
X.X: ±0.25 X.XXX: ±0.15

Antenk ANTEK ELECTRONICS CO., LTD
Http://www.antenk.com
E-mail:sales@antenk.com

SCALE: As Shown	UNIT: mm
DRAW TMX	DATE 23/03/2022
CHECK BobYang	DATE 23/03/2022

TITLE: DISPLAY PORT SMT WITH EDGE CURL, WITHOUT PLASTAC BASIC, LEG 2.0MM



DRAWING NO: DP-FXX08
PRODUCT NO: DP-FXX08

REV	DESCRIPTION			DATE
1	2	3	4	5