



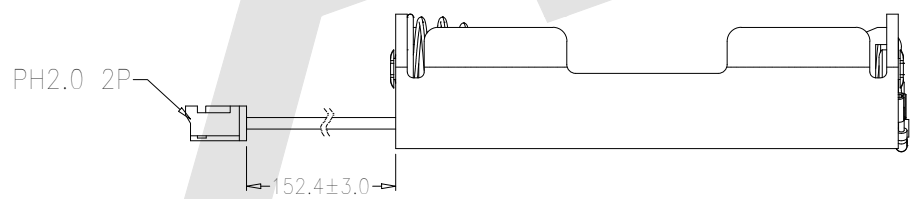
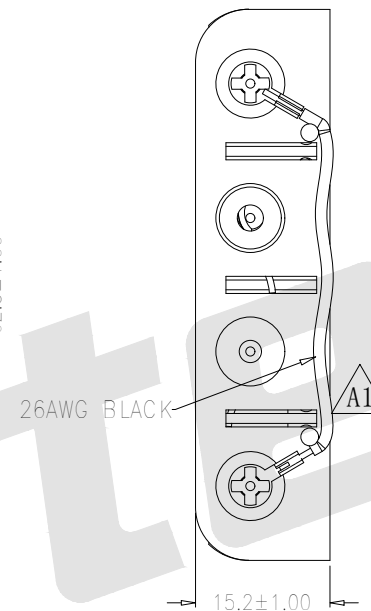
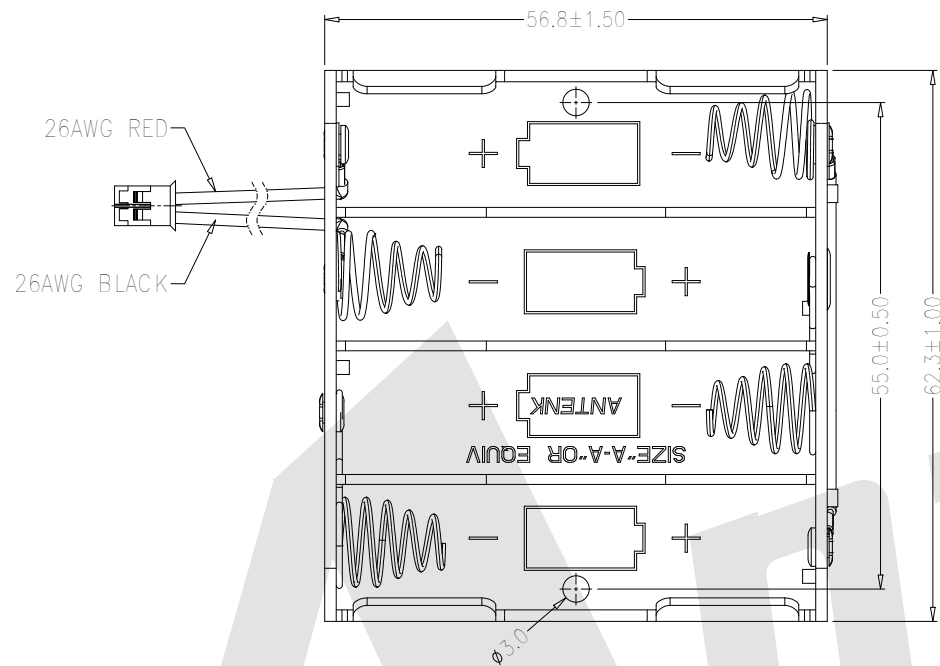
NOTE:

- HOLDER: MAT' L: POLYPROPYLENE
- SPRING: MAT' L: MUSIC WIRE, 0.7DIA. FINISH: NICKEL PLATE
- CONNECTOR: MAT' L-PA66, UL94V-0, COLOR-NATURAL
- POSITIVE "+" (RED) CONNECTED TO PIN1  
NEGATIVE "-" (BLACK) CONNECTED TO PIN2

Ordering Code:

BBA - 5 - 4 - B - S - 478CN  
 ① ② ③ ④ ⑤ ⑥

- ① BBA: Battery Holders
- ② BATTERY TYPE  
5: AA SIZE
- ③ BATTERY NUMBERS  
4: 4 piece
- ④ Packing  
A: TRAY B: BAG
- ⑤ S: Series Connection+2 Wires
- ⑥ Series Number  
478CN



Unless Otherwise specified tolerance  
 X. ±0.35 X.XX: ±0.20  
 X.X: ±0.25 X.XXX: ±0.15

SCALE: As Shown UNIT: mm  
 DRAW GONG FENG DATE 04/06/2022  
 CHECK BobYang DATE 04/06/2022

**Antenk**® ANTENK ELECTRONICS CO.,LTD  
[Http://www.antenk.com](http://www.antenk.com)  
 E-mail:sales@antenk.com

REV	DESCRIPTION	DATE
1	Change Black Wire, Add Boss	10/20/2023

TITLE:	4 PIECES AA Battery Holders With Series Connection
DRAWING NO:	BBA-5-4-B-S-478CN
PRODUCT NO:	BBA-5-4-B-S-478CN

