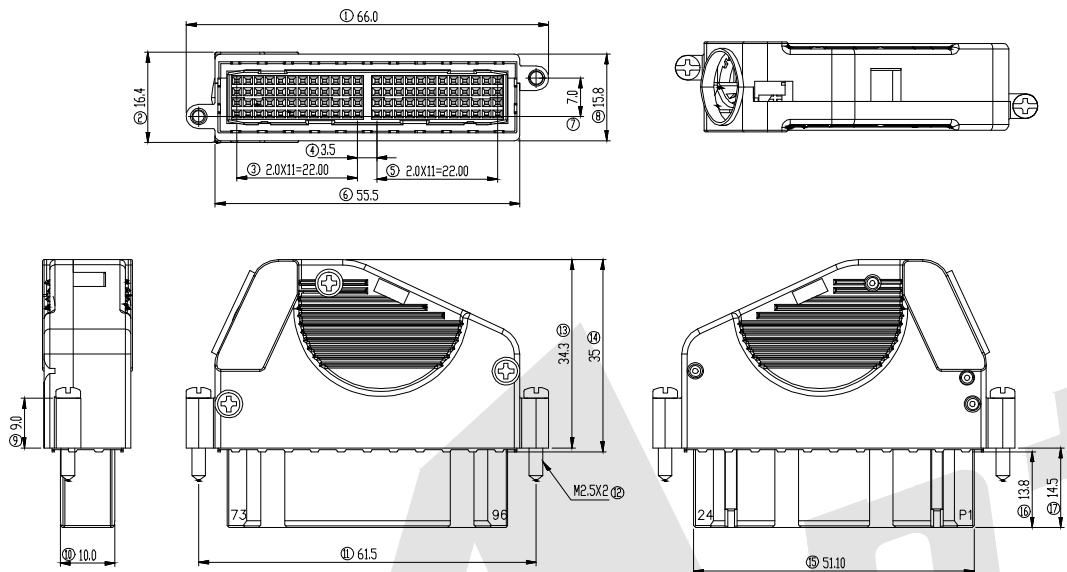


HSF



Ordering Code:

VDSL - 4 A 96 X CB S5 X  
 ① ② ③ ④ ⑤ ⑥ ⑦ ⑧

- ① Series
- ② 4 Row
- ③ A: IDC Type
- ④ No. of Contacts  
96: 4\*24=96P
- ⑤ 1: AWG 24/26  
2: AWG 28/30
- ⑥ DIP TIN CONTACT AU+PD/NI
- ⑦ Contact Plating:  
S0: Selective  
S1: Selective 3u  
S2: Selective 5u  
S3: Selective 10u  
S4: Selective 15u  
S5: Selective 30u  
SN: Tin
- ⑧ Packing:  
A: Tray  
B: Bag

Performance characteristics:

1. Main body part material  
 Insulator: PBT BLACK UL94V-0  
 Shroud housing: PBT BLACK UL94V-0  
 Terminal: Phosphor bronze, 1. 27um Ni under plated, outer plating see part number rule  
 Cover: Zinc alloy, Sn plated over all.  
 Cable clamp: Steel, Sn plated over all.  
 Screw: Stainless steel
2. Electrical requirements:  
 Current rating: 1A  
 Contact resistance:  $\leq 20 \text{ m}\Omega$   
 Insulation resistance;  $\geq 500 \text{ m}\Omega$   
 Withstanding voltage: PIN TO PIN: 1000 Vr.m.s, 1mA, 60s  
 PIN TO Ground: 1500 Vr.m.s, 1mA, 60s
3. Mechanical requirements  
 Insertion force:  $\leq 0.75 \text{ N/pin}$   
 Extraction force:  $\geq 0.15 \text{ N/pin}$   
 Wire gauge: AWG24/26; AWG28/30
4. Environment specification  
 Working temperature:  $-55^\circ\text{C} \sim +125^\circ\text{C}$
5. Applicable standard: IEC61076-4-104
6. Packing & storing  
 Method of packing: Tray, inner box, outer box  
 Storing condition: temperature of  $-10^\circ\text{C} \sim +40^\circ\text{C}$  below 80% relative humidity
7. Style of installation: IDC Installation
8. To prevent the pollution of the environment product info  
 RoHS agreement: In line with the European Union RoHS.

Unless Otherwise specified tolerance  
 X.  $\pm 0.35$  X.XX:  $\pm 0.20$   
 X.X:  $\pm 0.25$  X.XXX:  $\pm 0.15$

SCALE: As Shown UNIT: mm  
 DRAW ZLA DATE 09/02/2022  
 CHECK BobYang DATE 09/02/2022



**Antenk** ANTENK ELECTRONICS CO., LTD  
[Http://www.antenk.com](http://www.antenk.com)  
 E-mail: sales@antenk.com

TITLE:  
2.00MM VDSL 96P IDC Cable Connector  
 DRAWING NO: VDSL-4A96XCBS5X  
 PRODUCT NO: VDSL-4A96XCBS5X

REV	DESCRIPTION	DATE