

HSF

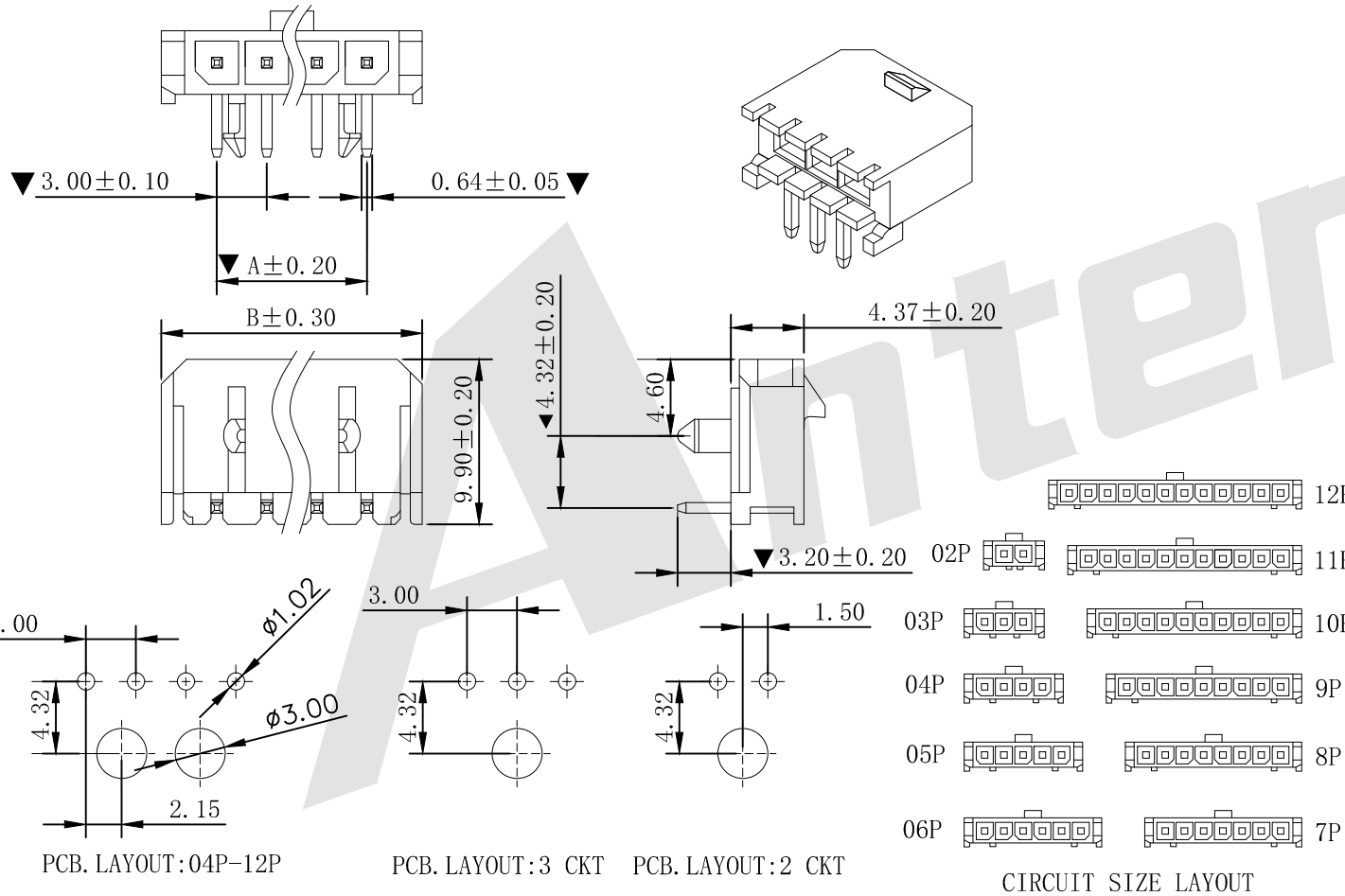


SPECIFICATIONS

- Voltage rating: 250V AC/DC
- Current rating: 5A, AC, DC
- Withstanding Voltage: 1500V AC/minute
- Insulation resistance: 1000MΩ min
- Temperature range: -25°C~+85°C
- Contact resistance: 20mΩ max

WAFER

- Part NO: AW3045R-1xNP
- Poles: 02-12P
- Housing Material: Nylon66 15%GF UL94 V-0 Black
- Pin Material: Brass
- Contact Area Plating: Tin-Plated
- The Dimension Marked “▼” Must Be Recorded



Ordering information & dimensions:

Poles	Part No.	Dimensions (mm)	
		A	B
2	AW3045R-2	3.00	9.65
3	AW3045R-3	6.00	12.65
4	AW3045R-4	9.00	15.65
5	AW3045R-5	12.00	18.65
6	AW3045R-6	15.00	21.65
7	AW3045R-7	18.00	24.65
8	AW3045R-8	21.00	27.65
9	AW3045R-9	24.00	30.65
10	AW3045R-10	27.00	33.65
11	AW3045R-11	30.00	36.65
12	AW3045R-12	33.00	39.65

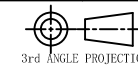
Unless Otherwise specified tolerance
 X. ±0.35 X.XX: ±0.20
 X.X: ±0.25 X.XXX: ±0.15



ANTENK ELECTRONICS CO., LTD
 Http://www.antenk.com
 E-mail:sales@antenk.com

SCALE: As Shown	UNIT: mm
DRAW Jack Bao	DATE 07/06/2017
CHECK Bob Yang	DATE 07/06/2017

TITLE: MX3.0mm 90° Wafer Connector Series



DRAWING NO: AW3045R-1xNP

PRODUCT NO: AW3045R-1xNP

REV	DESCRIPTION	DATE
1		
2		
3		
4		
5		