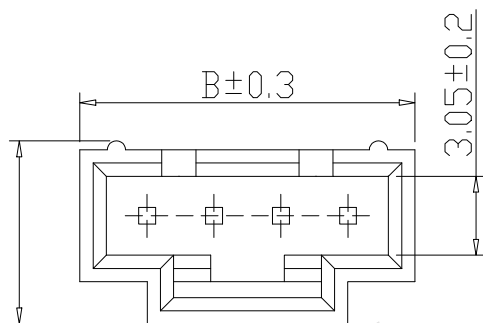
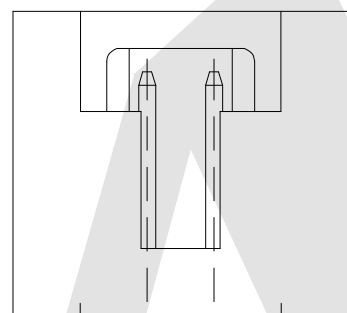


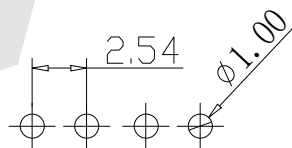
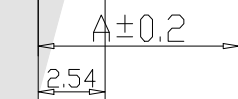
HSF



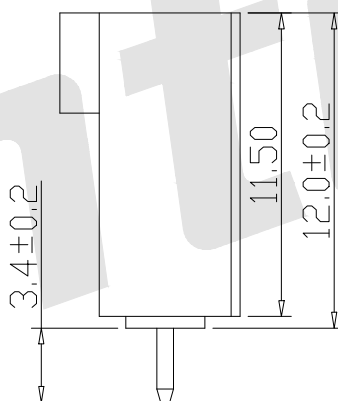
2P-6P 7.0±0.2
7P-20P 6.6±0.2



2.54±0.1 0.64±0.05



P. C. B LAYOUT



■SPECIFICATIONS 规格

Voltage rating 额定电压: 250V AC, DC
Current rating 额定电流: 3A, AC, DC
Withstanding Voltage 耐电压: 1500V AC/minute
Insulation resistance 绝缘电阻: 1000MΩ min
Temperature range 工作温度: -25° C ~ +85° C
Contact resistance 接触电阻: 20mΩ max

■WAFER 针座

Part No. 产品编号: AW2547V-NP
Poles 极数: 02-20
Material 材料: Nylon 66 UL94V-0
Pin Material 端子材料: Brass 黄铜 / Gold-flash 普金

Part No.	Dimension (mm)	
	A	B
AW2547V-02P	2.54	7.62
AW2547V-03P	5.08	10.16
AW2547V-04P	7.62	12.70
AW2547V-05P	10.16	15.24
AW2547V-06P	12.70	17.78
AW2547V-07P	15.24	20.32
AW2547V-08P	17.78	22.86
AW2547V-09P	20.32	25.40
AW2547V-10P	22.86	27.94
AW2547V-11P	25.40	30.48
AW2547V-12P	27.94	33.02
AW2547V-13P	30.48	35.56
AW2547V-14P	33.02	38.10
AW2547V-15P	35.56	40.64
AW2547V-16P	38.10	43.18
AW2547V-17P	40.64	45.72
AW2547V-18P	43.18	48.26
AW2547V-19P	45.72	50.80
AW2547V-20P	48.26	53.34

Unless Otherwise specified tolerance
X.±0.35 X.XX:±0.20
X.X:±0.25 X.XXX:±0.15

SCALE: As Shown UNIT: mm
DRAW ZLA DATE 11/11/2022
CHECK BobYang DATE 11/11/2022

VER./版本号 A0
3rd ANGLE PROJECTION

Antenk® ANTENK ELECTRONICS CO.,LTD
Http://www.antenk.com
E-mail:sales@antenk.com

TITLE:
2.54mm pitch 180° Wafer Connector Series

DRAWING NO: AW2547V-NP

PRODUCT NO: AW2547V-NP

MK/标记

DESCRIPTION/修订内容

DATE/日期(M/D/Y)