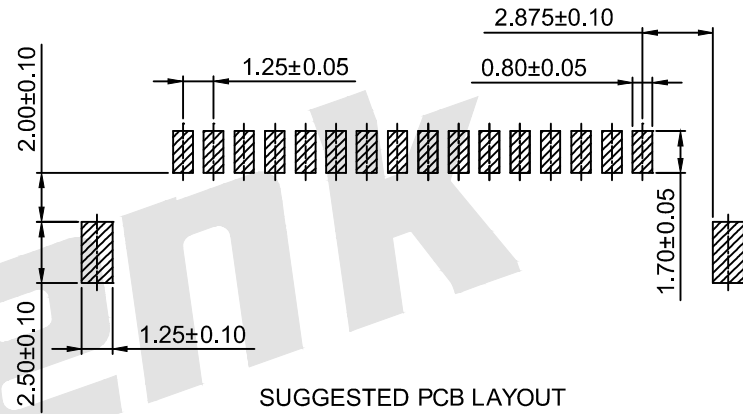
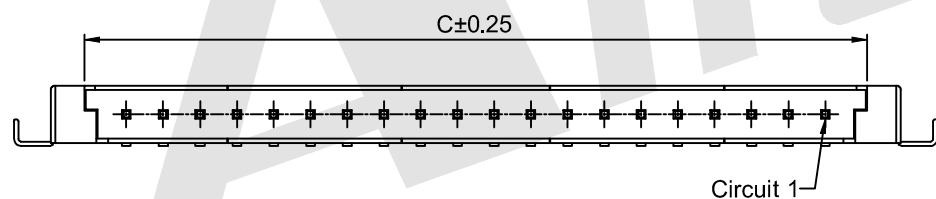
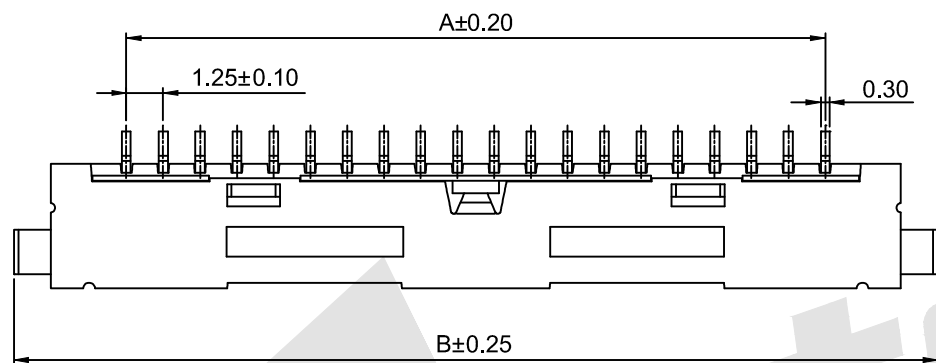
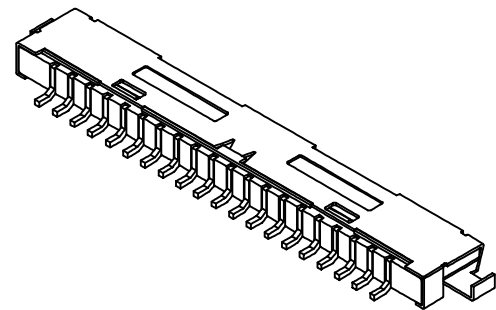
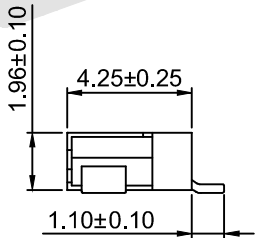


HSF



SUGGESTED PCB LAYOUT  
(COMPONENT SIDE)



SPECIFICATIONS

- Voltage rating: 150V AC,DC
- Current rating: 1A AC,DC
- Withstanding Voltage: 500V AC/minute
- Insulation resistance: 500MΩ min
- Temperature range: -40°C~+105°C

WAFER

- Part NO: AW1256RA-S-xP
- Material: Pin: Brass/Tin over Nickel  
Shell: Brass/Tin over Nickel  
Insulator: LCP, UL94V-0
- Mates with: AH1256 series Housing
- Color: White

Ordering Information & Dimensions:

Poles	Part No.	Dimensions (mm)		
		A	B	C
20	AW1256RA-S-20P	23.75	31.40	26.60
30	AW1256RA-S-30P	36.25	43.60	39.10

Unit:mm

Unless Otherwise specified tolerance  
X. ±0.35 X.XX: ±0.20  
X.X: ±0.25 X.XXX: ±0.15

**Antenk**® ANTENK ELECTRONICS CO., LTD  
Http://www.antenk.com  
E-mail:sales@antenk.com

SCALE: As Shown	UNIT: mm
DRAW Jack Bao	DATE 11/04/2017
CHECK Bob Yang	DATE 11/04/2017

TITLE: 1.25mm pitch 90° Wafer-SMT Connector Series



DRAWING NO: AW1256RA-S-xP  
PRODUCT NO: AW1256RA-S-xP

REV	DESCRIPTION	DATE