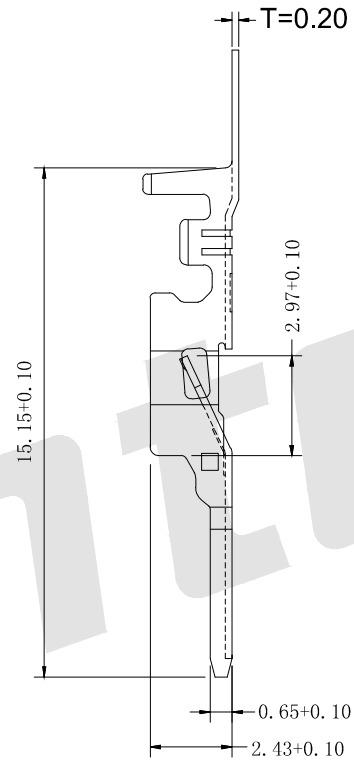
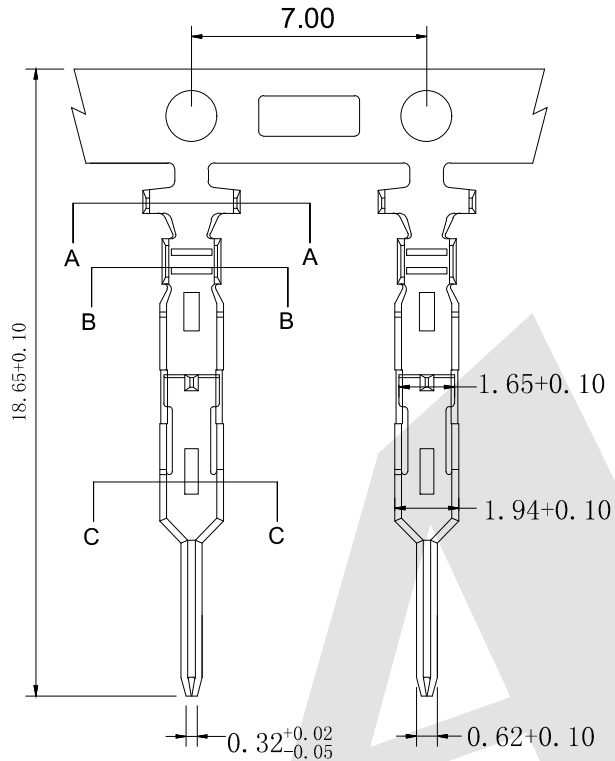


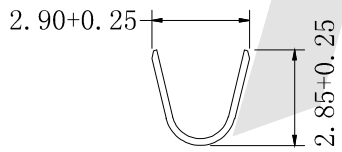
HSF



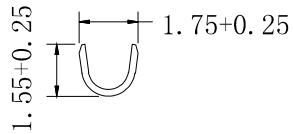
ROHS



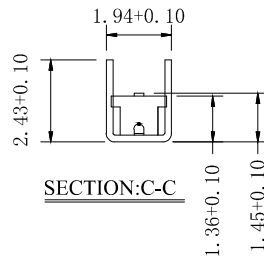
Specifications:
 Part No. :AT2508V-M
 Voltage rating:250V AC/DC
 Current rating:3A AC/DC
 Withstanding voltage:1000V AC/minute
 Temperature range: -25℃~+85℃
 Insulation resistance:≥1000MΩ
 Contact resistance: ≤10mΩ
 After environmental testing : ≤20mΩ
 Material:Phosphor Bronze
 Finish:10~15u" Ni;60~80u"Sn
 Wire Range:AWG#22-26
 Q' ty/Reel:7000Pcs



SECTION:A-A



SECTION:B-B



SECTION:C-C

Unless Otherwise specified tolerance
 X. ±0.35 X.XX:±0.20
 X.X:±0.25 X.XXX:±0.15

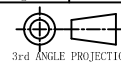
SCALE:
 As Shown UNIT:
 mm
 DRAW ZLA DATE 20/04/2022
 CHECK BobYang DATE 20/04/2022

Antenk ANTENK ELECTRONICS CO.,LTD
[Http://www.antenk.com](http://www.antenk.com)
 E-mail:sales@antenk.com

TITLE:
 2.5mm Pitch Male Terminal

DRAWING NO: AT2508V-M

PRODUCT NO: AT2508V-M



REV	DESCRIPTION	DATE
1		
2		
3		
4		
5		