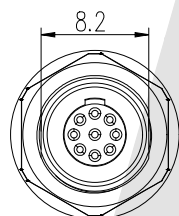
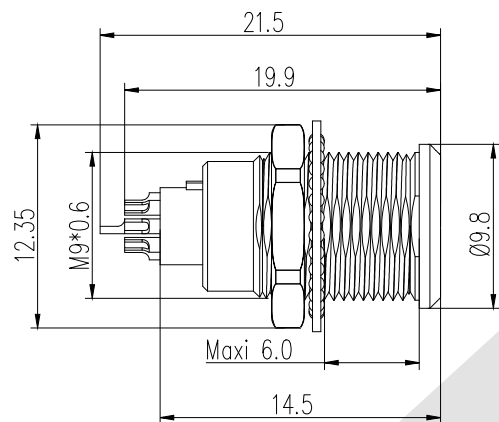


HSF



Specifications:
 Material:
 Housing: PPS
 Environment: Outdoor
 Shock: 100g,6ms
 Withstand Voltage: 500V AC,60S
 Humidity: 60°C,95% Max
 Protection Index: IP50
 Rated Temperature: -55°C~+250°C
 Durability: 5000 Cycles
 Vibration: 10-2000Hz,15g
 Salt Spray Test>144H
 Shielding: >75dB at 10Mhz,>40dB at 1Ghz

M9SL - XP - F - ZGG
 ① - ② - ③ - ④

- ① Serial No.
M9SL: M9 Self-Lock Series
- ② Pin No.
2~9P
- ③ Gender Type
F: Female
- ④ Series No.
ZGG

Pin Number	02	03	04	05	06	07	09	
Pin Size (MM)	0.9	0.9	0.7	0.7	0.5	0.5	0.5	
Conductor Size	20AWG	20AWG	24AWG	24AWG	28AWG	28AWG	28AWG	
Voltage Rating(KV rms)	PIN - PIN	1.30	1.20	1.00	0.85	0.85	0.70	0.60
	PIN - SHELL	1.05	0.90	1.35	0.70	0.70	0.65	0.50
Current Rating (A)	10.0	8.0	7.0	6.5	2.5	2.5	2.0	

Unless Otherwise specified tolerance
 X.±0.35 X.XX:±0.20
 X.X:±0.25 X.XXX:±0.15

SCALE: As Shown UNIT: mm
 DRAW ZLA DATE 10/07/2022
 CHECK BobYang DATE 10/07/2022

VER. 3rd ANGLE PROJECTION

Antenk® ANTENK ELECTRONICS CO.,LTD
 Http://www.antenk.com
 E-mail:sales@antenk.com

TITLE: M9 Self-Lock Female Connector With Nut Fixed

DRAWING NO: M9SL-XP-F-ZGG

PRODUCT NO: M9SL-XP-F-ZGG

REV	DESCRIPTION	DATE