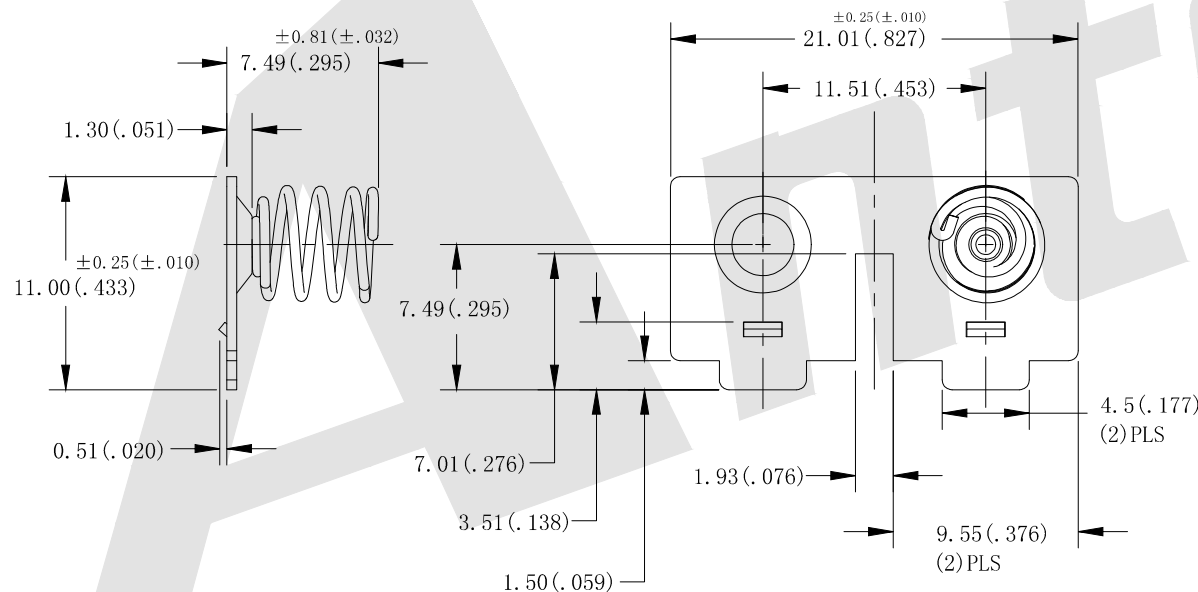
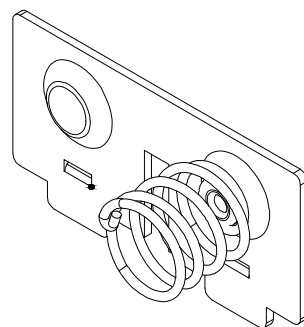


HSF



ROHS



NOTE:

1. CONTACT: MAT" L 0.50 (.020) TH "K STEEL
 SPRING CONTACT:
 MAT" L 0.50 (.020) DIA. MUSIC WIRE

Order code:

BS - S - SN - B - L5214XR
 ① ② ③ ④ ⑤

BS: Battery contacts

Apperance for the product

M: SMT TYPE

S: 180 TYPE

R: 90 TYPE

③ Contact Plating

SN: Tin

G0: Gold flash

G1: 3U" Gold

G2: 5U" Gold

G3: 10U" Gold

G4: 15U" Gold

G5: 30U" Gold

④ Packing method

A: Tray packing

B: Bag Packing

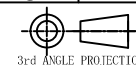
R: Tape & reel packing

⑤ Product number

CRL5214XR

Unless Otherwise specified tolerance
 X. ±0.35 X.XX: ±0.20
 X.X: ±0.25 X.XXX: ±0.15

SCALE: As Shown	UNIT: mm
DRAW Lv Xun Hua	DATE 25/03/2019
CHECK BobYang	DATE 25/03/2019



Antenk® ANTENK ELECTRONICS CO., LTD
 Http://www.antenk.com
 E-mail:sales@antenk.com

TITLE: Battery Contacts For L5214

DRAWING NO: BS-S-SN-B-L5214XR

PRODUCT NO: BS-S-SN-B-L5214XR

REV	DESCRIPTION	DATE
1		
2		
3		
4		
5		