



NOTES:

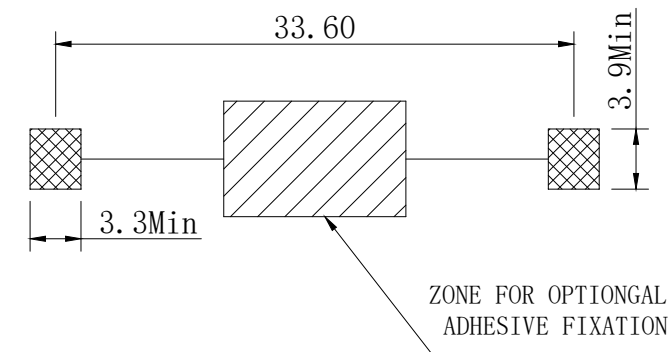
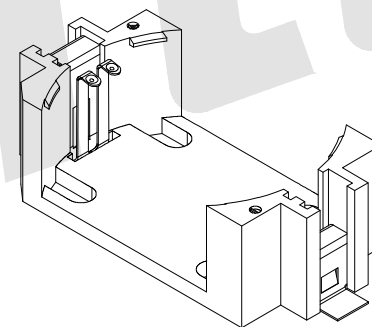
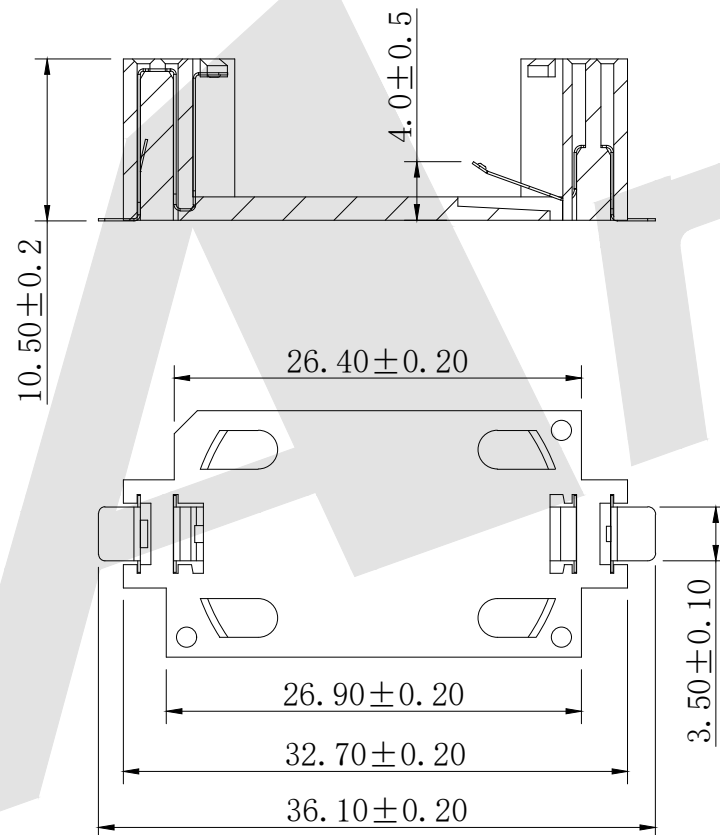
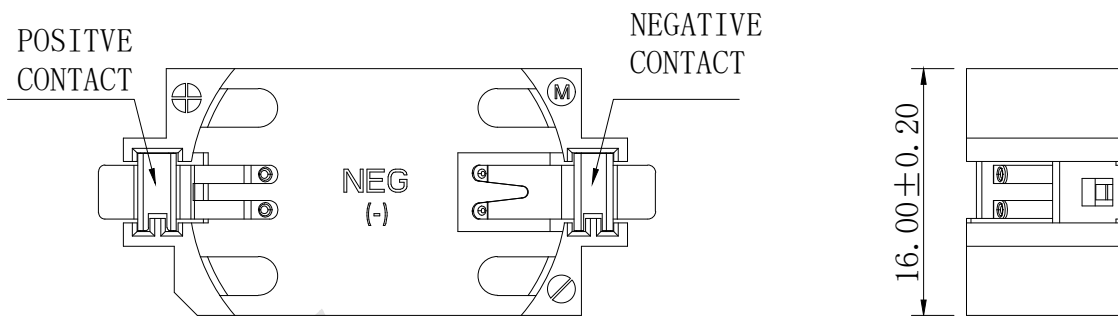
- 1, BASE"
MAT'L:GLSAA FILED LCP UL 94V-0
- 2, CONTACTS:
MAT'L:0.15mm TH'K PHOSPHOR BRONZE
FINISH:1 u" GOLD FLASH, OVER NICKEL PLATE

△3.250 PCS per reel

Order code:

BT — M — GO — R — CR2477A
 ① — ② — ③ — ④ — ⑤

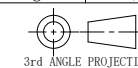
- ① BT: Coin Cell Holders
- ② Apperance for the product
M:SMT TYPE
- ③ Contact Plating
SN: Tin
G0: Gold flash
G1: 3U" Gold
G2: 5U" Gold
G3: 10U" Gold
G4: 15U" Gold
G5: 30U" Gold
- ④ Packing method
A: Tray packing
R: Tape & reel packing
- ⑤ Product number
CR2477A



MOUNTING PAD & HOLE DETAIL

Unless Otherwise specified tolerance
 X. ±0.35 X.XX: ±0.20
 X.X: ±0.25 X.XXX: ±0.15

SCALE: As Shown UNIT: mm
 DRAW Mo Guo Xuan DATE 03/15/2019
 CHECK BobYang DATE 03/15/2019



Antenk® ANTENK ELECTRONICS CO.,LTD
[Http://www.antenk.com](http://www.antenk.com)
 E-mail:sales@antenk.com

TITLE: Coin Cell Holders For CR2477

DRAWING NO: BT-M-GO-R-CR2477A

PRODUCT NO: BT-M-GO-R-CR2477A

△ Add packing information

22/03/2022

DATE

REV

DESCRIPTION