



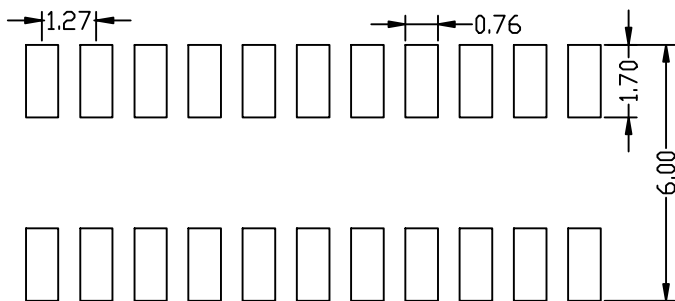
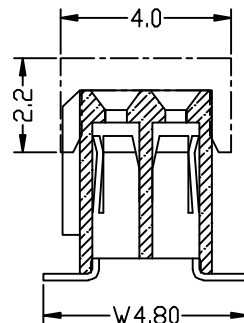
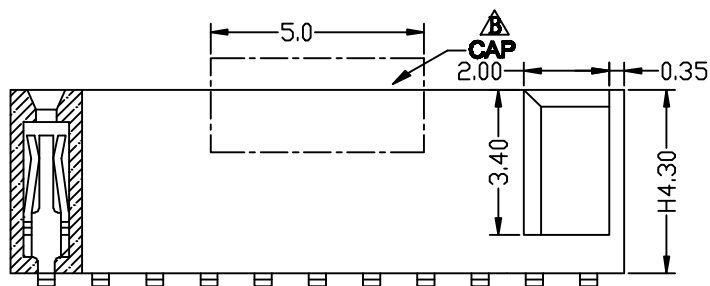
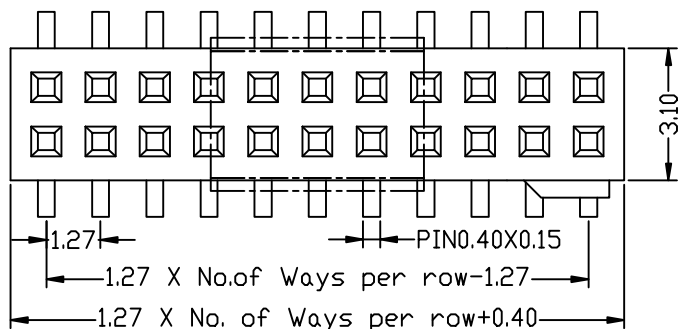
SPECIFICATION

Current Rating: 1Amp
Insulation Resistance: 1000M ohms min
Contact Resistance: 20M ohms max
Dielectric Withstanding: AC500V
Operating Temperature: -65°C to +125°C
Contact Material: Brass
Insulator Material: PA6T UL 94V-0 Black

Ordering Code:

FHCM09 - X - X - D - X - X - X
 ① ② ③ ④ ⑤ ⑥ ⑦

- ① Series No:
- ② No. of Contacts: 02 To 100
- ③ Contact Plating:
 - G0:Gold flash S0:Selective
 - G1:3U" Gold S1:Selective 3u"
 - G2:5u" Gold S2:Selective 5u"
 - G3:10u" Gold S3:Selective 10u"
 - G4:15u" Gold S4:Selective 15u"
 - G5:30u" Gold S5:Selective 30u"
 - SN:Tin
- ④ Connector Type: D:Dual
- ⑤ Plastic High: H:4.3
Please mark the desired length in the H
- ⑥ Insulator Material:
 - B:PA6T
 - C:LCP
 - E:PA9T
- ⑦ Packing:
 - A:Tray
 - B:Bag
 - T:Tube
 - U:Tube+CAP
 - R:Tape&Reel
 - W:Tape&Reel+CAP



PCB LAYOUT

Unless Otherwise specified tolerance
 I. ±0.35 I.XX: ±0.20
 I.X: ±0.25 I.XXX: ±0.15

SCALE: As Shown UNIT: mm
 DRAW YG ZHONG DATE 01/05/2016
 CHECK BobYang DATE 01/05/2016

Antenk ANTENK ELECTRONICS CO., LTD
[Http://www.antenk.com](http://www.antenk.com)
 E-mail: sales@antenk.com

TITLE: 1.27mm Female Header Dual Row SMT Type With Bump

DRAWING NO: FHCM09-XXDXXX

PRODUCT NO: FHCM09-XXDXXX



REV

CHANGE CAP
 DESCRIPTION

2018. 08. 07
 DATE



3rd ANGLE PROJECTION