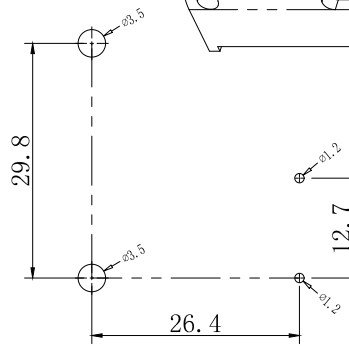
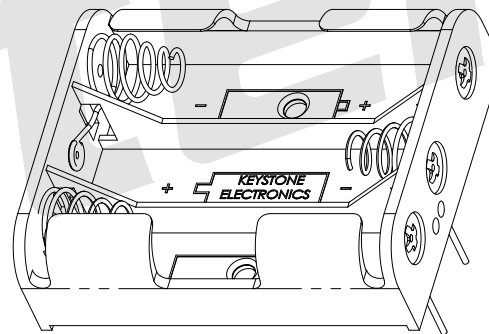
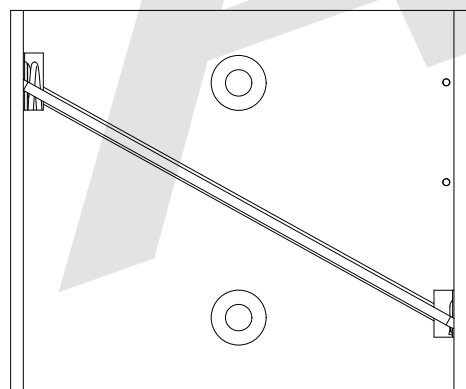
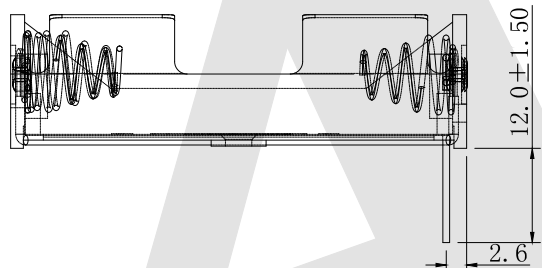
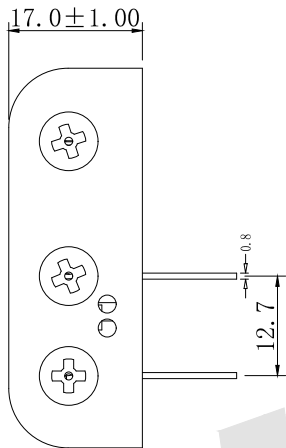
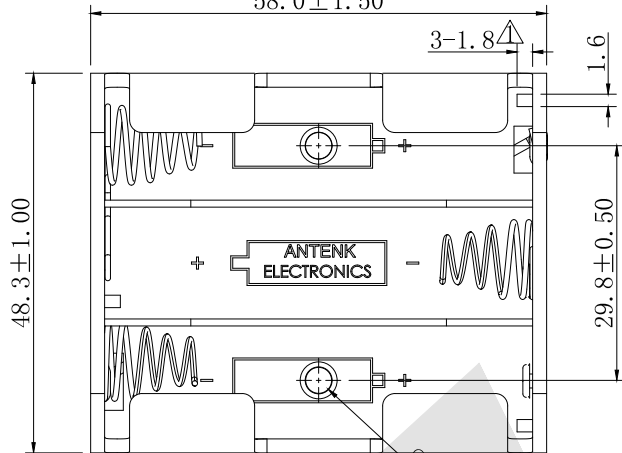


HSF

RoHS
58.0 ± 1.50



MOUNTING DETAIL

NOTES:

- 1、HOLDER MATERIAL:POLYPROPYLENE.
- 2、SPRING MATERIAL:MUSIC WIRE, 0.7DIA FINISH:NICKEL PLATED
- 3、SOLDER LEG:MATERIAL-BRASS, 0.8DIA FINISH-NICKEL PLATED

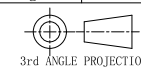
Ordering Code:

BBA - 5 - 3 - B - P - 464
① ② ③ ④ ⑤ ⑥

- ① BBA:Battery Holders
- ② BATTERY TYPE
5: AA SIZE
- ③ BATTERY NUMBERS
3: 3 piece
- ④ Packing
A:TRAY B:BAG
- ⑤ P:With Pins
- ⑥ Series Number
464

Unless Otherwise specified tolerance
X. ±0.35 X.XX: ±0.20
X.X: ±0.25 X.XXX: ±0.15

SCALE: As Shown	UNIT: mm
DRAW Wu Feng Rong	DATE 29/08/2019
CHECK BobYang	DATE 29/08/2019



Antenk ANTENK ELECTRONICS CO., LTD
Http://www.antenk.com
E-mail:sales@antenk.com

TITLE:
3 PIECES AA Battery Holders DIP TYPE

DRAWING NO: BBA-5-3-B-P-464

PRODUCT NO: BBA-5-3-B-P-464

△ Change 2.0 ± 0.10 to 1.8, 3.3 to 3.4

08/07/2022

REV DESCRIPTION

DATE