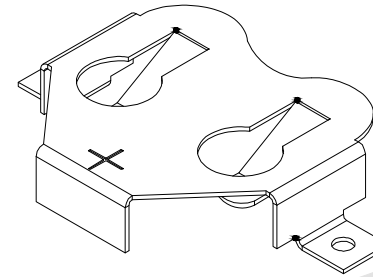
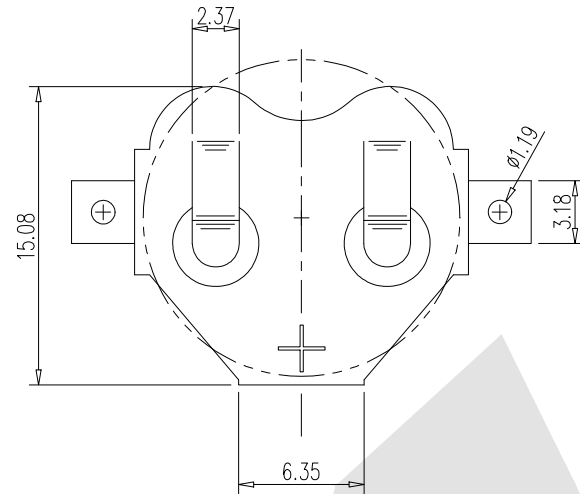


HSF



NOTES:

1.MATERIAL: PHOSPHOR BRONZE,T=0.25mm.

2.PLATING:

80U" Min TIN PLATED OVERALL

50U" Min NICKEL PLATED UNDER OVERALL

3.THIS PRODUCT IS SUITABLE FOR 24MM BATTERY

Order code:

BS - M - NI - R - 3012
 ① ② ③ ④ ⑤

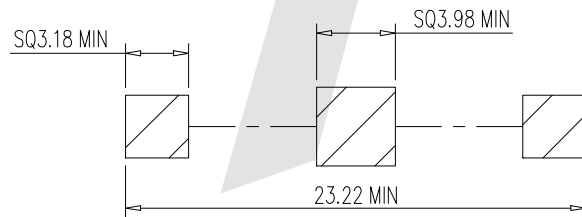
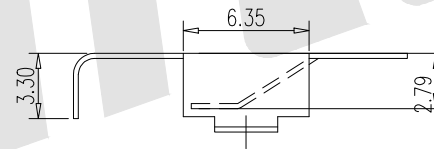
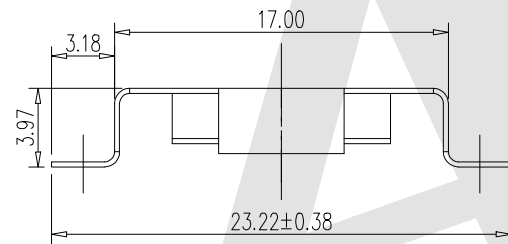
① BS: Battery Contacts

② Appearance for the product
 M: SMT TYPE

④ Packing method
 R: Tape & reel packing
 B: Bag packing

⑤ Product number
 3012: 3012 STYLE

③ Contact Plating
 NI: NICKEL PLATE
 SN: Tin
 G0: Gold flash
 G1: 3u" Gold
 G2: 5u" Gold
 G3: 10u" Gold
 G4: 15u" Gold
 G5: 30u" Gold



MOUNTING PAD LAYOUT

Unless Otherwise specified tolerance
 X.±0.35 X.XX:±0.20
 X.X:±0.25 X.XXX:±0.15

SCALE: As Shown UNIT: mm
 DRAW ZLA DATE 07/04/2023
 CHECK BobYang DATE 07/04/2023

VER./版本号 3rd ANGLE PROJECTION

Antenk ANTENK ELECTRONICS CO.,LTD
 Http://www.antenk.com
 E-mail:sales@antenk.com

TITLE: 16mm SM COIN CELL CLIP

DRAWING NO: BS-M-NI-R-3012

PRODUCT NO: BS-M-NI-R-3012

MK/标记	DESCRIPTION/修订内容	DATE/日期(M/D/Y)
-------	------------------	----------------