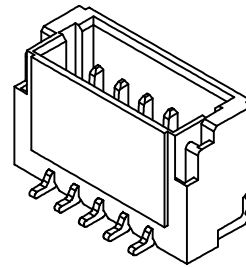


HSF



ROHS



SPECIFICATIONS

- Voltage rating: 50V AC,DC
- Current rating: 1A, AC, DC
- Withstanding Voltage: 500V AC/minute
- Insulation resistance: 100MΩ min
- Temperature range: -40°C~+105°C

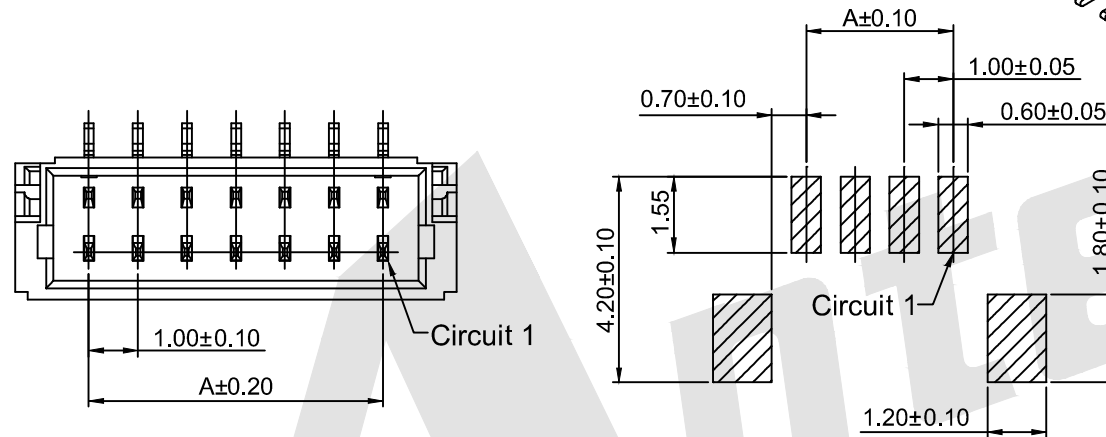
WAFER

- Part NO: AW1002V-S-xP
- Material: Pin: Phosphor Bronze/Tin over Nickel
Solder Tabs: Phosphor Bronze/Tin over Nickel
Insulator: Nylon 6T, UL94V-0
- Mates with: AH1002-xP series Single Row Housing
- Color: Ivory

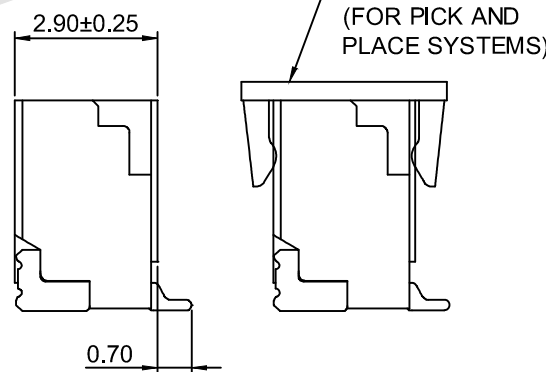
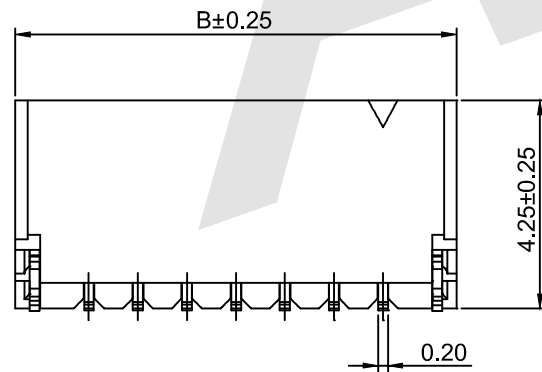
Ordering Information & Dimensions:

Part No.	Dimensions (mm)	
	B	
AW1002V-S-02P	1.00	4.00
AW1002V-S-03P	2.00	5.00
AW1002V-S-04P	3.00	6.00
AW1002V-S-05P	4.00	7.00
AW1002V-S-06P	5.00	8.00
AW1002V-S-07P	6.00	9.00
AW1002V-S-08P	7.00	10.00
AW1002V-S-09P	8.00	11.00
AW1002V-S-10P	9.00	12.00
AW1002V-S-11P	10.00	13.00
AW1002V-S-12P	11.00	14.00
AW1002V-S-13P	12.00	15.00
AW1002V-S-14P	13.00	16.00
AW1002V-S-15P	14.00	17.00
AW1002V-S-16P	15.00	18.00
AW1002V-S-17P	16.00	19.00
AW1002V-S-18P	17.00	20.00
AW1002V-S-19P	18.00	21.00
AW1002V-S-20P	19.00	22.00

Unit: mm



P.C.B LAYOUT

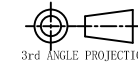


Unless Otherwise specified tolerance
 X. ±0.35 X.XX: ±0.20
 X.X: ±0.25 X.XXX: ±0.15

Antenk® ANTENK ELECTRONICS CO., LTD
[Http://www.antenk.com](http://www.antenk.com)
 E-mail:sales@antenk.com

SCALE: As Shown	UNIT: mm
DRAW Jack Bao	DATE 10/23/2017
CHECK Bob Yang	DATE 10/23/2017

TITLE: 1.00mm pitch 180° Single Row Wafer-SMT Connector Series



DRAWING NO: AW1002V-S-xP

PRODUCT NO: AW1002V-S-xP

REV	DESCRIPTION	DATE
1		
2		
3		
4		
5		