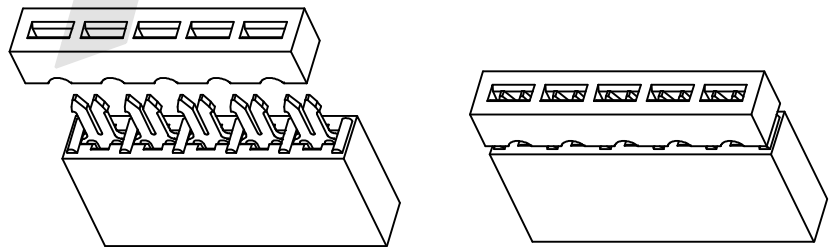
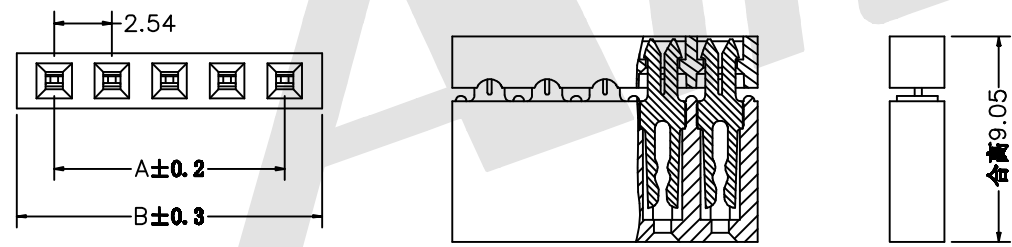
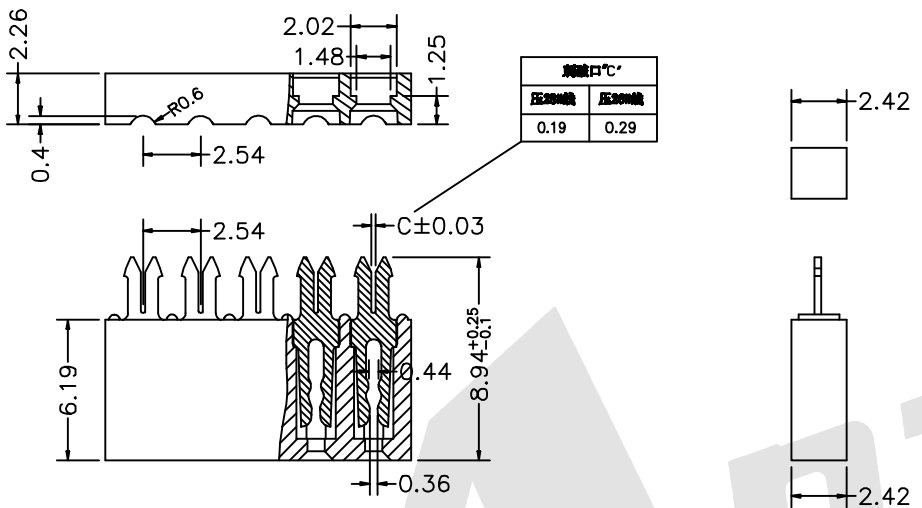


NUMBER OF POSITIONS	DIMENSIONS	
	A	B
2	2.54	5.84
3	5.08	8.38
4	7.62	10.92
5	10.16	13.46
6	12.7	16.00
7	15.24	18.54
8	17.78	21.08
9	20.32	23.62
10	22.86	26.16
11	25.40	28.70
12	27.94	31.24
13	30.48	33.78
14	33.02	36.32
15	35.56	38.86
16	38.10	41.40
17	40.64	43.94
18	43.18	46.48
19	45.72	49.02
20	48.26	51.56
21	50.80	54.10
22	53.34	56.64
23	55.88	59.18
24	58.42	61.72

**SPECIFICATION**  
**Current Rating:** 1.0Amp  
**Insulation Resistance:** 1000MΩ min  
**Contact Resistance:** 20MΩ max  
**Withstand Voltage:** 500V AC/DC  
**Operating Temperature:** -40°C to +105°C  
**Contact Material:** Phosphor Bronze  
**Contact Plating:** Au Over Ni  
**Insulator Material:** PBT+30%GF UL 94V-0

**Ordering Code:**  
**FCDS05** - X - X - X - X  
 ① ② ③ ④ ⑤

- ① Series No:  
2 3 4  
5 6 7  
.....  
22 23 24
- ② No.of Contacts
- ③ Contact Plating  
G0: Gold flash S0: Gold flash/Ni  
G1: 3u" Gold S1: 3u" Gold/Ni  
G2: 5u" Gold S2: 5u" Gold/Ni  
G3: 10u" Gold S3: 10u" Gold/Ni  
G4: 15u" Gold S4: 15u" Gold/Ni  
G5: 30u" Gold S5: 30u" Gold/Ni  
SN: Tin
- ④ Color Insulator  
B:Black  
G:Grey
- ⑤ Packing  
A:Tray  
B:Bag  
C:Tube  
D:Tape Reel



Unless Otherwise specified tolerance

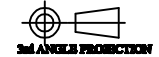
X±0.35	X.XX±0.20
X.X±0.25	X.XXX±0.15

SCALE: As Shown UNIT: mm  
 DRAW: Gang Feng DATE: 08/11/2017  
 CHECK: Bob Yang DATE: 08/11/2017

**Antenk** ANTENK ELECTRONICS  
 Http://www.antenk.com  
 E-mail:sales@antenk.com

TITLE: 2.54MM IDC SOCKET SIMPLE TYPE, SINGLE ROW

DRAWING NO: FCDS05-XXXX  
 PRODUCT NO: FCDS05-XXXX



REV	DESCRIPTION	DATE
1		
2		
3		
4		
5		