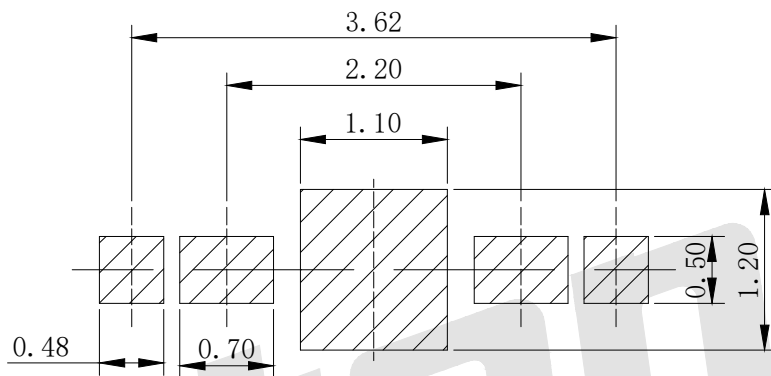
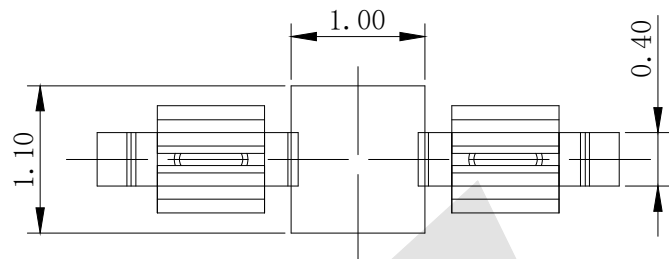


HSF

RoHS



PCB LAYOUT (TOL: ±0.05)

NOTE/说明:

Material/材料: Stainless Steel 不锈钢, T=0.15mm

Electroplating/电镀: Tin Plating/镀锡 1.0 ~ 3.0um

0.4 ~ 1.5um Nickel Base 镍底

SOLDERING DATA焊接条件: SOLDERING HEAT RESISTANCE 焊接耐热性=250° C±5° /10S

The size marked with "*" is the key size. 带 "*" 尺寸为重点尺寸

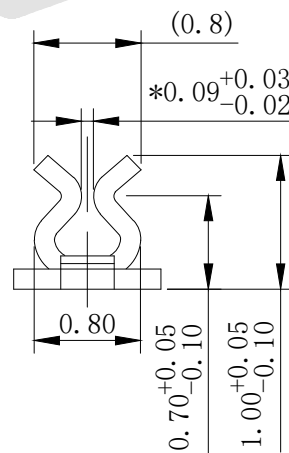
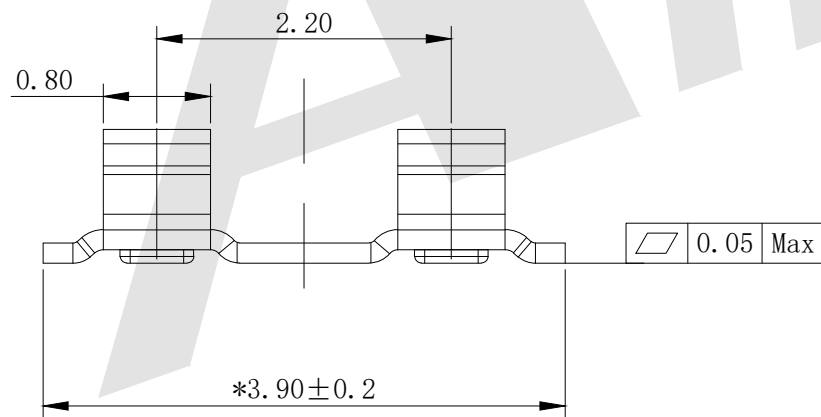
Ordering Code/订单编号:

TBC.BT-S-SN-S0941-46-R

Material端子材料:
Stainless Steel
不锈钢

Packing Method 包装方式
B: Bag Packing 袋装
R: Tape & Reel Packing
卷装

Contact Plating
电镀:
SN: Tin 锡



Unless otherwise specified tolerance
X. ±0.35 X.XX: ±0.20
X.X: ±0.25 X.XXX: ±0.15

SCALE: As Shown UNIT: mm

DRAW: Jacky DATE: 03/04/2021

CHECK: BobYang DATE: 03/04/2021

REV版本: A0

3rd ANGLE PROJECTION

Antenk® ANTENK ELECTRONICS CO., LTD
Http://www.antenk.com
E-mail:sales@antenk.com

TITLE:
Battery Contacts S0941
电池弹片 S0941

DRAWING NO: TBC.BT-S-SN-S0941-46-R

PRODUCT NO: TBC.BT-S-SN-S0941-46-R

MKS	DESCRIPTION	DATE
1	2	3
4	5	6