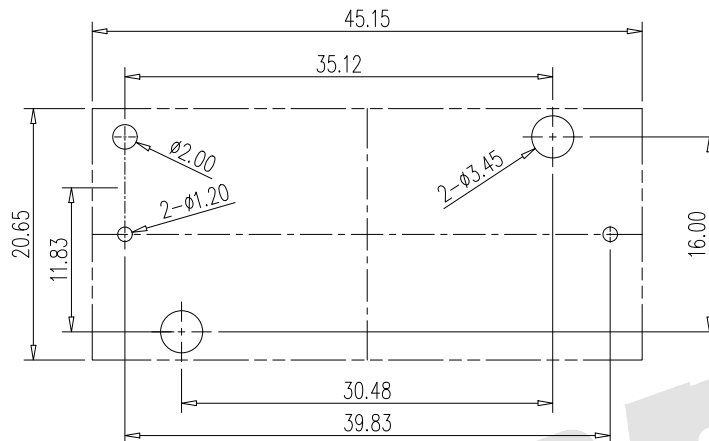


HSF



NOTE: .  
 1. BASE:  
 MAT'L: PBT – UL94–V0, Grey  
 2. CONTACT:  
 MAT'L: STAINLESS STEEL  
 FINISH: NICKEL PLATE  
 3. SPRING: MUSIC WIRE, NICKEL PLATE  
 SPRING EYELETED TO BASE .  
 4. EYELET – NICKEL PLATE

Ordering Code:

BBC – S – NI – A – 111  
① ② ③ ④ ⑤

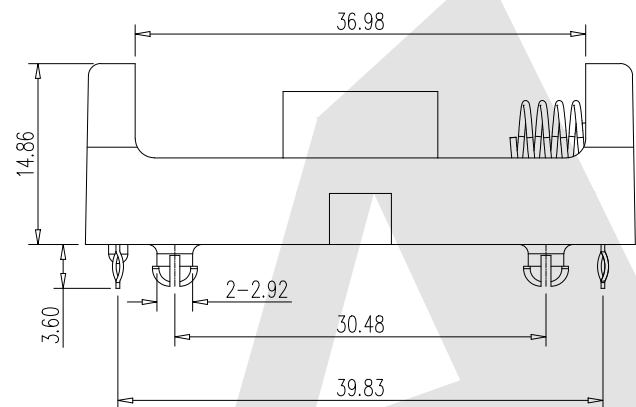
①BBC: Battery Holders

②Apperance for the product  
S: 180° TYPE

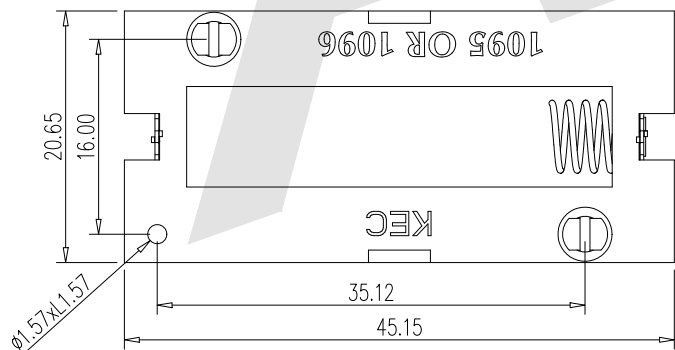
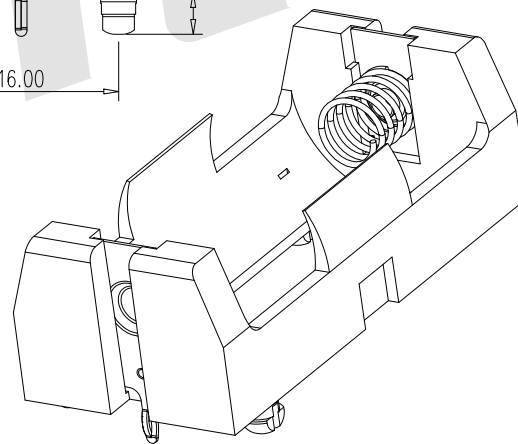
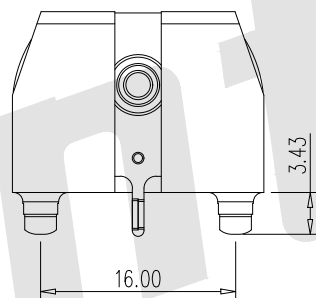
③Contact Plating  
 NI: Nickel SN: Tin  
 G0: Gold flash G1: 3U”Gold  
 G2: 5U”Gold G3: 10U”Gold  
 G4: 15U”Gold G5: 30U”Gold

④Packing Method  
 A: Tray  
 B: BAG

⑤Product Number:  
111



PCBLAYOUT



Unless Otherwise specified tolerance  
 X.±0.35 X.XX:±0.20  
 X.X:±0.25 X.XXX:±0.15

SCALE: As Shown UNIT: mm  
 DRAW ZLA DATE 07/17/2023  
 CHECK BobYang DATE 07/17/2023  
 VER./版本号



**Antenk** ANTENK ELECTRONICS CO.,LTD  
 Http://www.antenk.com  
 E-mail:sales@antenk.com

TITLE:  
THM BATTERY HOLDER 18350

DRAWING NO: BBC–S–NI–A–111

PRODUCT NO: BBC–S–NI–A–111

MK/标记

DESCRIPTION/修订内容

DATE/日期(M/D/Y)