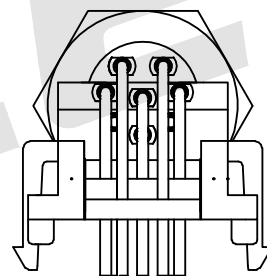
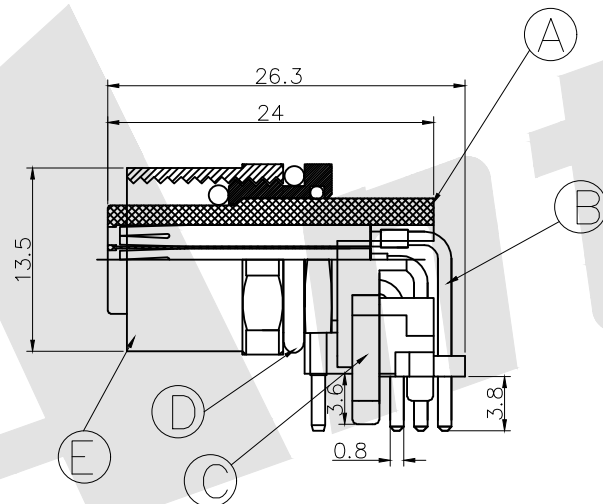
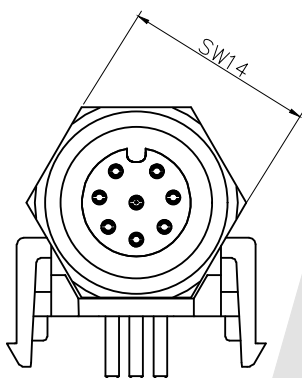
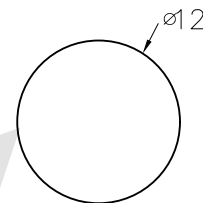
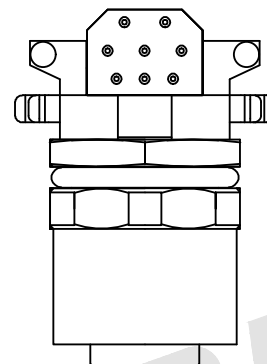
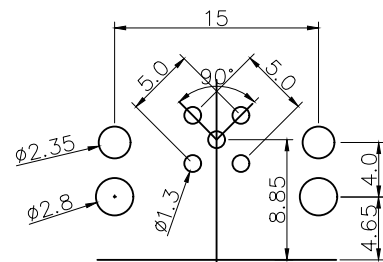


HSF



ROHS

PCB Layout Reference



Order Code:

M1202 - A - 8P - F - 009
 ① ② ③ ④ ⑤

- ① Type of M series : M1202
- ② Code Option: A
- ③ NO. of PINS: 8
- ④ Gender option: Female
- ⑤ Series number: 009

Engagement force	≤30N	Rated volage	30v DC
Isengagement force	≥5N	Rated current	2A
echanical lifespan	≥500	Insulation resistance	≥1000 MΩ
IP rating	IP67/IP68	Contace resistance	≤10mΩ
Flammability	UL94 v-0	Operation Temperature	-40 T0+105℃

Item	PART NAME	QTY	MATERIAL /FINISH
E	Over Mold	1	NICKL PLATED BRASS
D	O RING	2	SILIGONE RED
C	CONTACT	1	NICKL PLATED BRASS
B	Female PIN	8	PHOSPHOR BRONZE GOLD PLATING OVER NICKEL PLATING
A	BODY	1	PA66+GF BLACK

Unless Otherwise specified tolerance
 X.±0.35 X.XX: ±0.20
 X.X: ±0.25 X.XXX: ±0.15

SCALE: As Shown UNIT: mm
 DRAW ZLA DATE 24/05/2022
 CHECK BobYang DATE 24/05/2022

Antenk® ANTENK ELECTRONICS CO.,LTD
 Http://www.antenk.com
 E-mail:sales@antenk.com

TITLE: M12 8P Female Waterproof Board Side A Code DIP 90°

DRAWING NO: M1202-A-8P-F-009

PRODUCT NO: M1202-A-8P-F-009



REV	DESCRIPTION	DATE