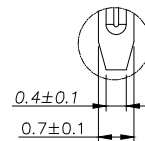
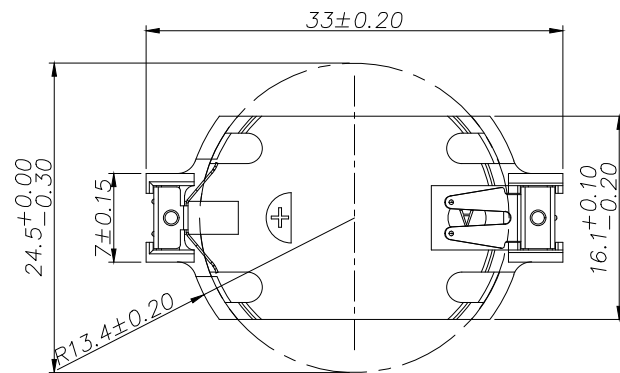


HSF



RoHS



DETAIL A(SCAL4:1)

NOTES:

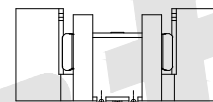
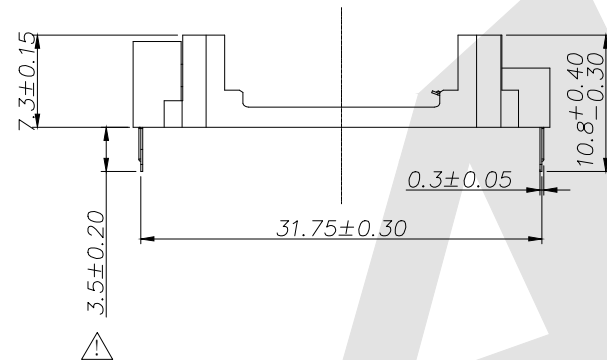
- 1. Housing: LCP+30%G. F, Colr:Nature, UL94V-0
- 2. Contact: Spring Stainless Steel, T=0.15mm
Solder area: 200u" Tin Plated
50u" Nickel Min Under-Overall;
- 3. Working Temp: -30° C to +70° C

Order code:

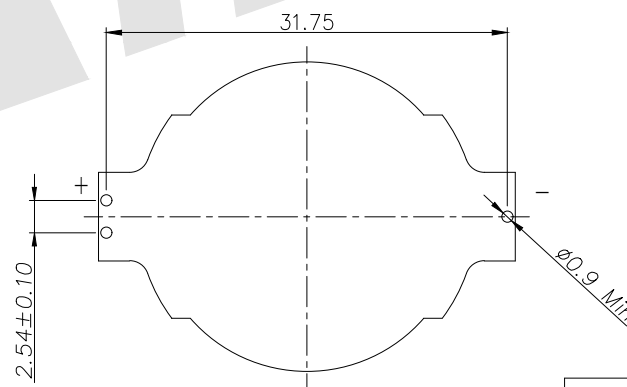
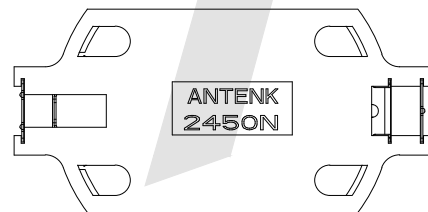
BT - R - SN - R - 2450N
 ① ② ③ ④ ⑤

- ① BT:Coin Cell Holders
- ② Apperance for the product
- ③ Contact Plating
- ④ Packing method
- ⑤ Product number

- R:90 TYPE
- SN: Tin
- G0: Gold flash
- G1: 3U" Gold
- G2: 5U" Gold
- G3: 10U" Gold
- G4: 15U" Gold
- G5: 30U" Gold



2.54±0.10



PCB LAYOUT (TOP VIEW)

Unless Otherwise specified tolerance
 X. ±0.38 X.XX: ±0.20
 X.X: ±0.25 X.XXX: ±0.10

Antenk ANTENK ELECTRONICS CO.,LTD
<http://www.antenk.com>
 E-mail:sales@antenk.com

SCALE: As Shown UNIT: mm
 DRAW: Jacky DATE: 11/17/2020
 CHECK: BobYang DATE: 11/17/2020

TITLE:
 Coin Cell Holders Right Angle DIP For CR2450
 DRAWING NO: BT-R-SN-A-2450N
 PRODUCT NO: BT-S-SN-A-2450N



Update
 DESCRIPTION

06/24/2021
 DATE

REV