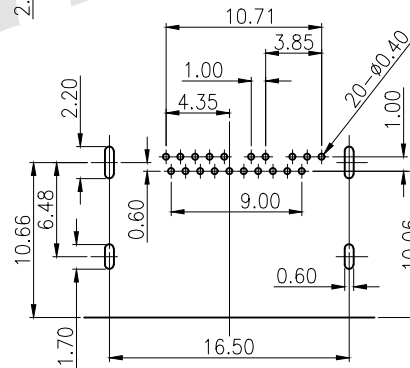
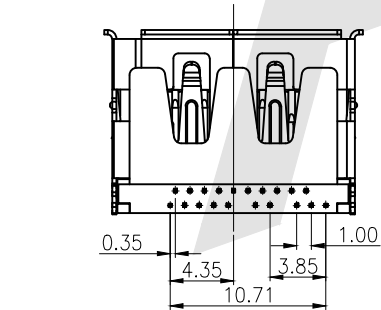
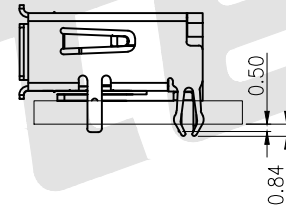
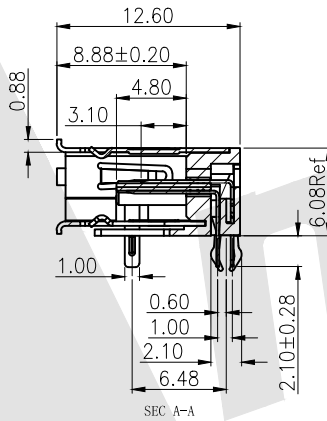
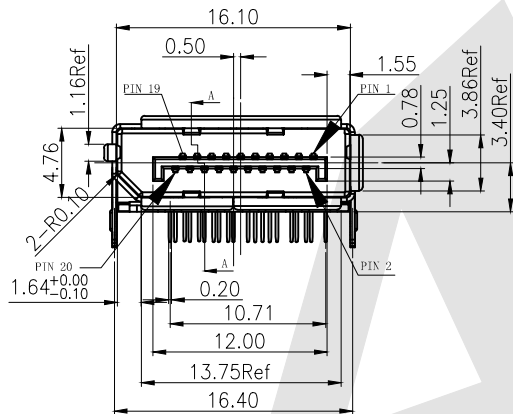
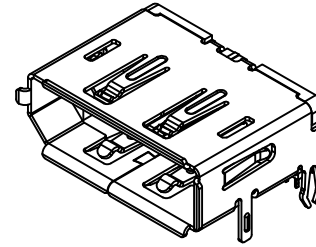
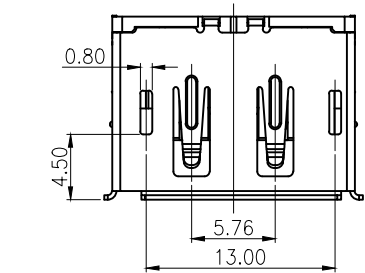


HSF



ROHS



RECOMMENDED PCB LAYOUT
(THICKNESS=1.6±0.15mm)

NOTE:

A. MATERIAL:

1. Housing: LCP(HF) UL94V-0 Black
2. Cover: LCP(HF) UL94V-0 Black
3. Contact: Copper Alloy T=0.20
4. Shell: Copper Alloy T=0.30

B. PLATING:

1. Contact: Contact Area Gold Plated
Solder Area Sn Plated
Under Plated Nickel
2. Shell: Nickel Plated

C. SPECIFICATION:

1. Current: 0.5A
2. Voltage: 40V RMS
3. Withstanding Voltage: 500V AC
4. Contact Resistance: 30 mΩ max. (Contact)
50 mΩ max. (Shell)
5. Insulation Resistance: 100 MΩ min.
6. Temperature Range: -20° C to +85° C
7. Mating And unmating Force:
 - 7.1 Mating Force: 4.5Kgf(44.1N)Max.
 - 7.2 Unmating Force: 1.0Kgf~4.0Kgf(9.8N~39.2N)

Ordering Code:

DP - F - X - X - 02
① ② ③ ④ ⑤

① Series No:

② Male / female:

F: female

③ Contact Plating:

- 1: Selective 1u"
- 2: Selective 3u"
- 3: Selective 5u"
- 4: Selective 15u"
- 5: Selective 30u"
- 6: All Gold

④ Shell Plating:

- 1: Nickel Plated
- 2: Tin-Nickel Plated
- 3: Gold Plated

⑤ Series Number:

02

Unless Otherwise specified tolerance
X. ±0.35 X.XX: ±0.20
X.X: ±0.25 X.XXX: ±0.15

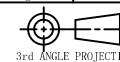
SCALE: As Shown UNIT: mm
DRAW ZLA DATE 26/03/2022
CHECK BobYang DATE 26/03/2022

Antenk ANTEK ELECTRONICS CO., LTD
Http://www.antenk.com
E-mail:sales@antenk.com

TITLE:
Display Port Female DIP With Fork Legs, Without Boss

DRAWING NO: DP-FXX02

PRODUCT NO: DP-FXX02



3rd ANGLE PROJECTION

REV DESCRIPTION DATE

1 2 3 4 5 6 7 8