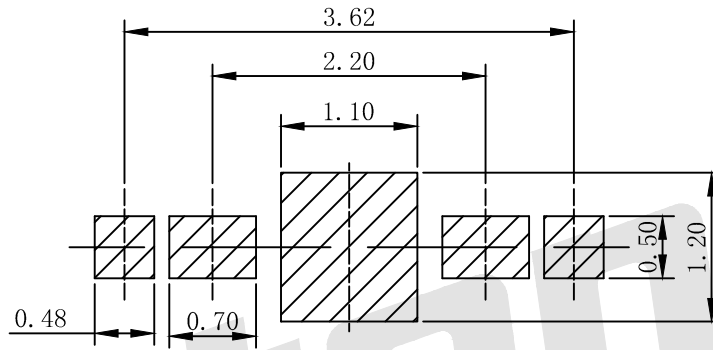
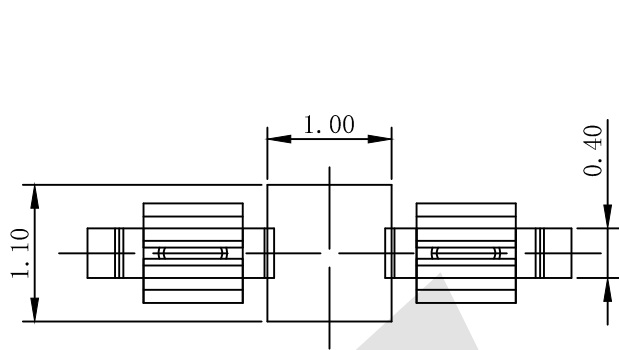
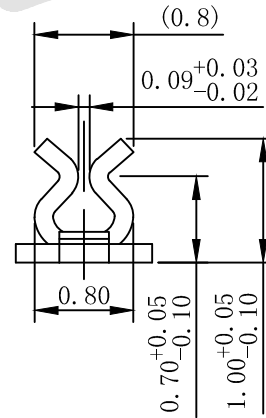
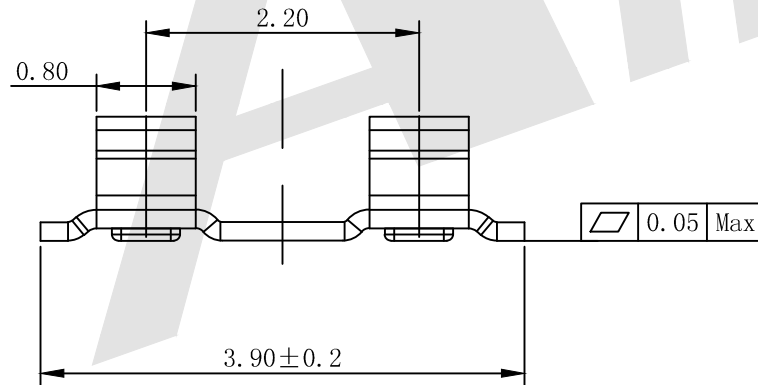


HSF



PCB LAYOUT (TOL: ±0.05)



NOTE:

Material: Stainless Steel, T=0.15mm

Electroplating: Tin Plating 1.0 ~ 3.0um

0.4 ~ 1.5um Nickel Base

SOLDERING DATA: SOLDERING HEAT RESISTANCE=250° C ± 5° / 10S

Ordering Code:

△ SF-S-SN-S0941-46-R-24

Material:
Stainless Steel

Packing Method
B: Bag Packing
R: Tape & Reel Packing

Contact Plating:

SN: Tin

Unless otherwise specified tolerance

X. ±0.35 X.XX: ±0.20
X.X: ±0.25 X.XXX: ±0.15

SCALE: As Shown UNIT: mm

DRAW Jacky DATE 03/04/2021

CHECK BobYang DATE 03/04/2021



ANTENK ELECTRONICS CO., LTD
Http://www.antenk.com
E-mail:sales@antenk.com

△ Change Part No. "TBC.BT-S-SN-S0941-46-R" to "SF-S-SN-S0941-46-R-24"

06/04/2022

REV DESCRIPTION

DATE



3rd ANGLE PROJECTION

TITLE:

Battery Contacts S0941

DRAWING NO: SF-S-SN-S0941-46-R-24

PRODUCT NO: SF-S-SN-S0941-46-R-24