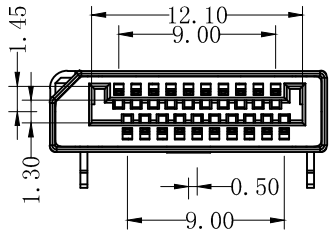
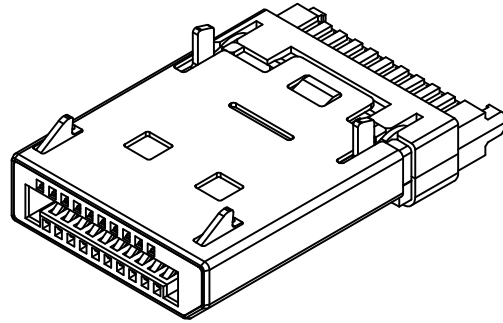


HSF



ROHS



Material Specification

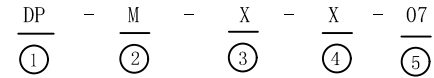
Terminal:0.25\*C5191, Bottom Nickel Plating 30u", Gold Plating 0.8u" on Contact Area, Tin Plating 80u" on other area

Housing:LCP

Shell:0.3\*SPCC, Gold Plating 1u"

Hook:0.4\*SUS301

Ordering Code:



① Series No:

② Male / female:

M: male

③ Contact Plating:

1: Selective 1u"

2: Selective 3u"

3: Selective 5u"

4: Selective 15u"

5: Selective 30u"

6: All Gold

④ Shell Plating:

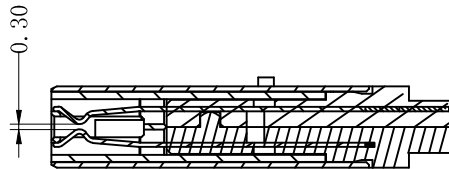
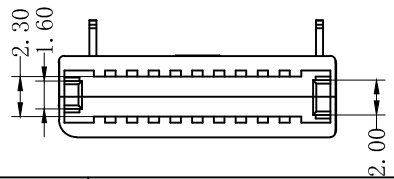
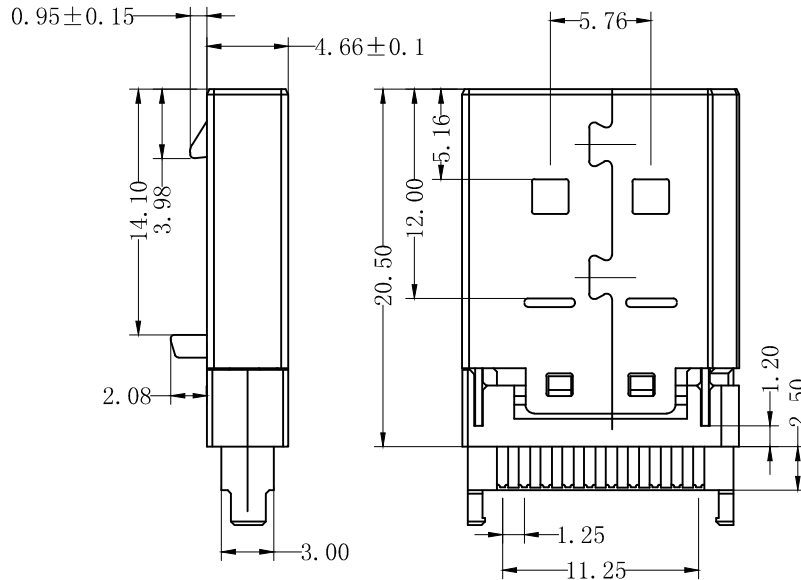
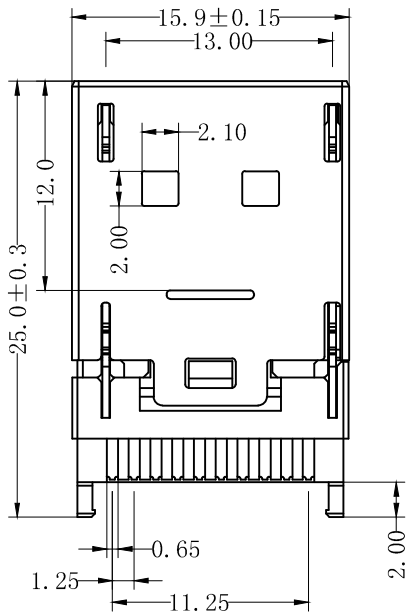
1:Nickel Plated

2:Tin-Nickel Plated

3:Gold Plated

⑤ Series Numer:

07



Unless Otherwise specified tolerance

X. ±0.35 X.XX: ±0.20

X.X: ±0.25 X.XXX: ±0.15

SCALE: As Shown UNIT: mm

DRAW ZLA DATE 26/03/2022

CHECK BobYang DATE 26/03/2022

3rd ANGLE PROJECTION



ANTENK ELECTRONICS CO., LTD

Http://www.antenk.com

E-mail:sales@antenk.com

TITLE: Display Port Plug Molding Style

DRAWING NO: DP-MXX07

PRODUCT NO: DP-MXX07

REV	DESCRIPTION	DATE
1		
2		
3		
4		
5		