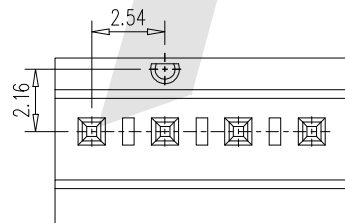
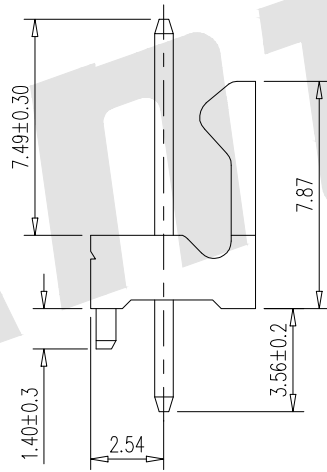
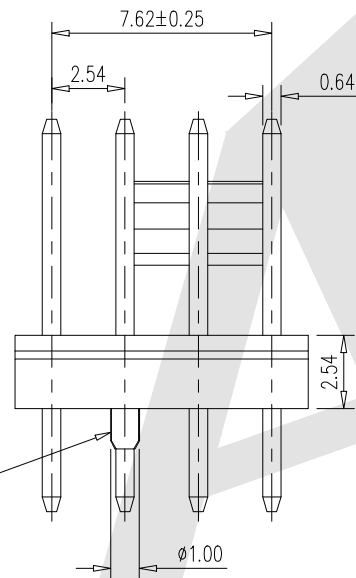
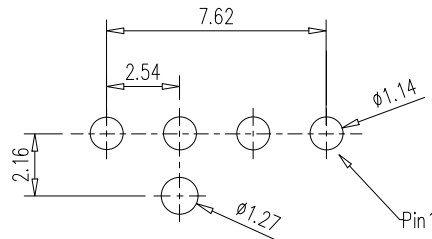
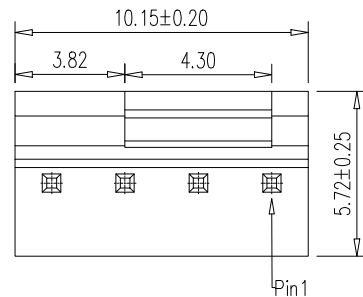


HSF



NOTES:

Current Rating: 3.0AMP
 Voltage Rating: 250V AC/DC
 Withstand Voltage: 750V AC/Minute
 Contact Resistance: 20m2 Max
 Insulation Resistance: 1000MQ Min
 Operation Temperature: -40°C ~ + 105°C
 MATERIAL:
 Contact : Brass
 Contact Plating: Sn over Ni
 Housing : PA66, UL94V-0

AW2543VD- 04P - X
 ① ② ③

- ① Serials No.
- ② Pin No.
- ③ Insulation Color
- B: Black
- E: Beige
- W: White

Unless Otherwise specified tolerance	
X.±0.35	X.X:±0.20
X.X:±0.25	X.XX:±0.15
SCALE: As Shown	UNIT: mm
DRAW ZLA	DATE 06/03/2023
CHECK BobYang	DATE 06/03/2023
VER./版本号	3rd ANGLE PROJECTION

Antenk ANTEK ELECTRONICS CO.,LTD
[Http://www.antenk.com](http://www.antenk.com)
 E-mail:sales@antenk.com

TITLE: 2.54mm pitch 180° Wafer Connector
 With Boss
 DRAWING NO: AW2543VD-04P-X
 PRODUCT NO:AW2543VD-04P-X

MK/标记	DESCRIPTION/修订内容	DATE/日期 (M/D/Y)