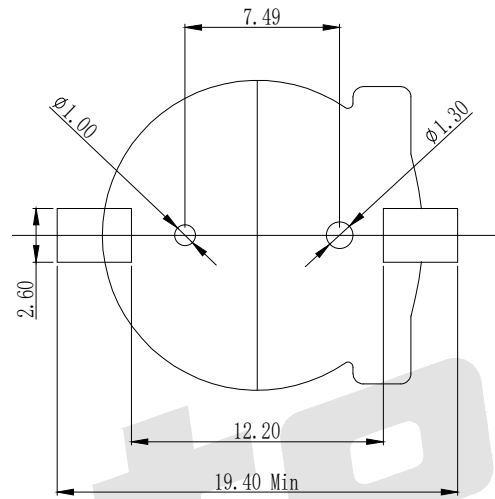
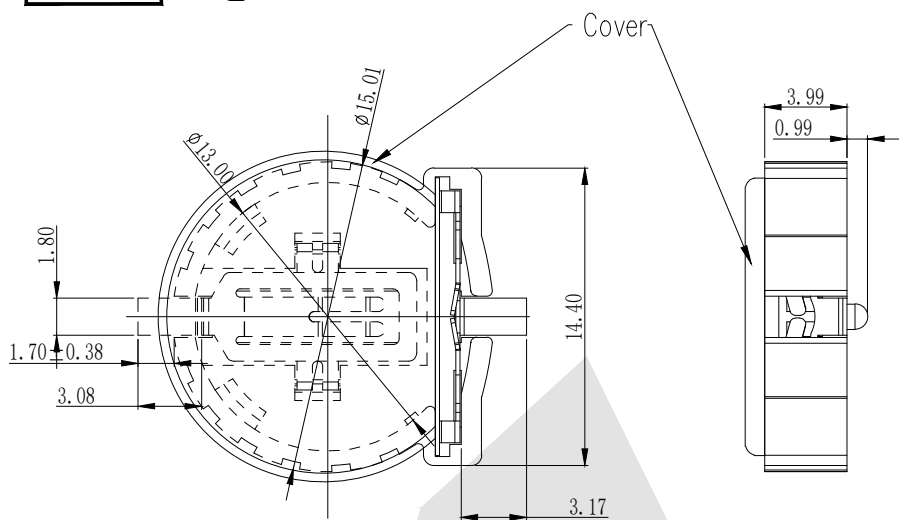
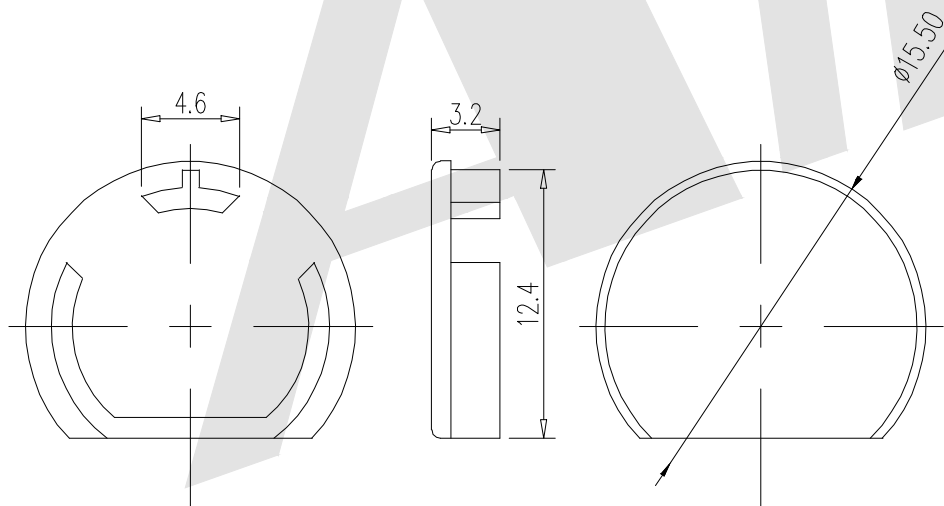


HSF



PCB LAYOUT(TOP VIEW)



Cover

Note:

1.Material:

- a.Housing: PPS Colr: Nature,UL94V-0
- b.Contact: C5191
- c.Surface Plating: Au

2.Electric:

- a.Contact Resistance: 30 Milliohms Max.
- b.Insulation Resistance: 1000 Mega Ohms Min.
- c.Dielectnic Voltage: 500 V AC One Sec Level
- d.Operating Temperature: -30°To +70°

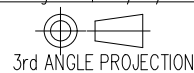
Order Code:

BT - M - GO - R - CR1220E
 ① ② ③ ④ ⑤

- ① BT: Coin Cell Holders
- ② Apperance For The Product: M: SMT TYPE
- ③ Contact Plating
SN: Tin
GO: Gold Flash
G1: 3U" Gold
G2: 5U" Gold
G3: 10U" Gold
G4: 15U" Gold
G5: 30U" Gold
- ④ Packing Method
A: Tray Packing
R: Tape & Reel Packing
- ⑤ Product Number
CR1220E

Unless Otherwise specified tolerance
 X.±0.35 X.XX:±0.20
 X.X:±0.25 X.XXX:±0.15

SCALE: As Shown UNIT: mm
 DRAW ZLA DATE 08/17/2022
 CHECK BobYang DATE 08/17/2022



Antenk® ANTENK ELECTRONICS CO.,LTD
 Http://www.antenk.com
 E-mail:sales@antenk.com

TITLE: Coin Cell Holders With Cover For CR1220E

DRAWING NO: BT-M-GO-R-CR1220E

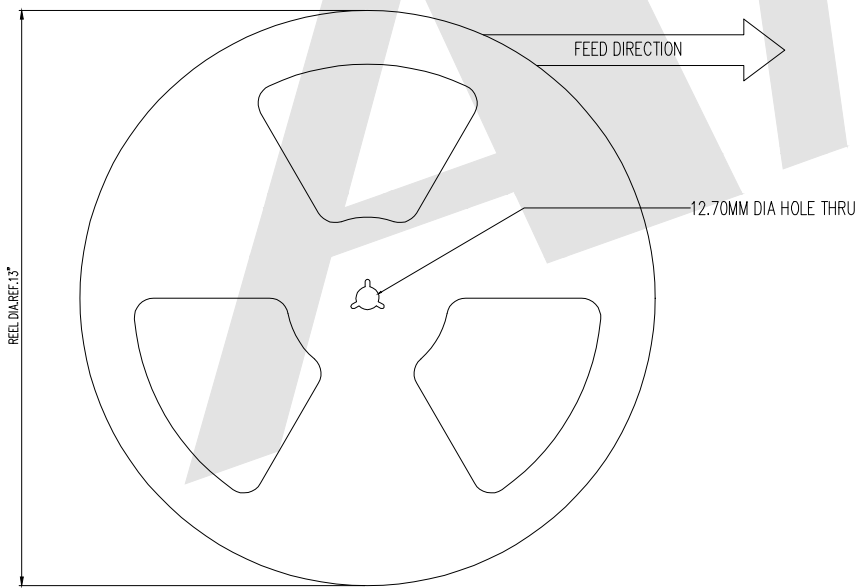
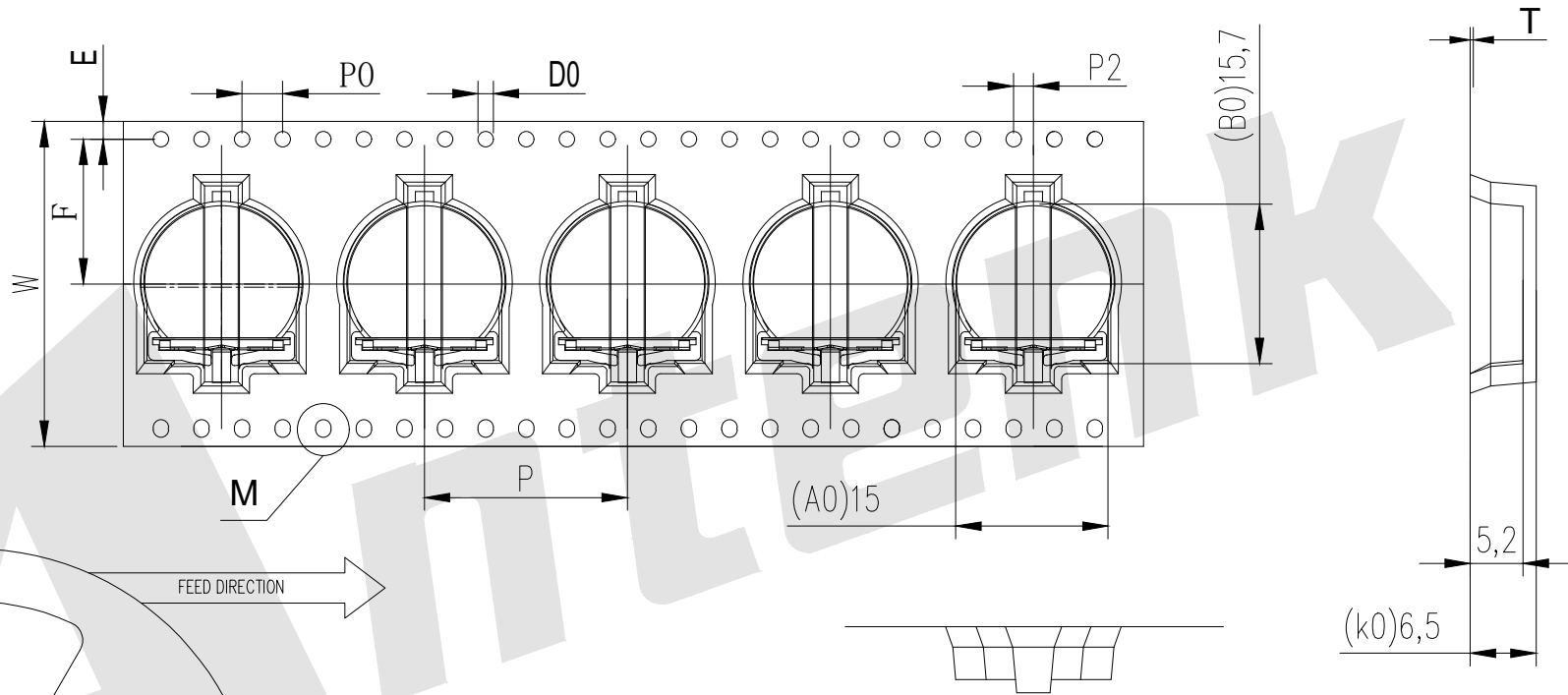
PRODUCT NO: BT-M-GO-R-CR1220E

REV	DESCRIPTION	DATE

HSF



ITEM	W	A0	B0	K0	K1	P	F	E	D	P0	P2	T	13"	
DIM	32.0	15.0	15.70	6.50	0.00	20.0	14.20	1.75	1.50	4.00	2.00	0.30	长度/盘	元件/盘
TOLE	+0.30 -0.30	+0.10 -0.10	+0.10 -0.10	+0.10 -0.10	+0.10 -0.10	+0.10 -0.10	+0.10 -0.10	+0.10 -0.10	+0.10 -0.00	+0.10 -0.10	+0.15 -0.15	+0.05 -0.05	11M	500pcs



Unless Otherwise specified tolerance
 X.±0.35 X.XX:±0.20
 X.X:±0.25 X.XXX:±0.15

SCALE: As Shown UNIT: mm
 DRAW ZLA DATE 08/17/2022
 CHECK BobYang DATE 08/17/2022



Antenk® ANTENK ELECTRONICS CO.,LTD
[Http://www.antenk.com](http://www.antenk.com)
 E-mail: sales@antenk.com

TITLE: Coin Cell Holders With Cover For CR1220E

DRAWING NO: BT-M-GO-R-CR1220E
 PRODUCT NO: BT-M-GO-R-CR1220E

REV	DESCRIPTION	DATE
1	Coin Cell Holders With Cover For CR1220E	
2		
3		
4		
5		

BT-M-GO-R-CR1220E
 BT-M-GO-R-CR1220E