

HSF



ROHS

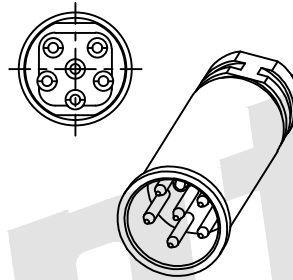
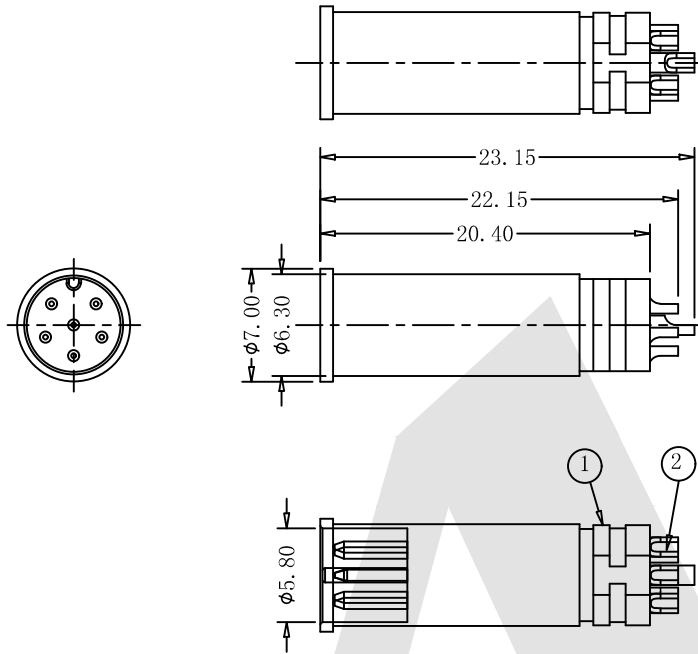
Notes:

- Waterproof rate: IP67
IP67: Immersed in 1M water for 30 Minutes
- Electrical characteristics
Temperature range: -40° C to +85° C
rating: 60V AC/DC 1.5A
Dielectric withstanding voltage: 250V AC for one minute

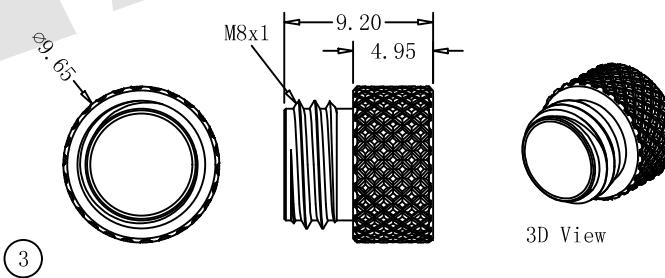
Order Code:

M8 - XP - M - 166-1
① ② ③ ④

- Type of M series: M8
- NO. of PINS: 06~08
- Gender option: Male
- Series number: 166-1



3D View



3D View

M8-08P-M-166-1	
M8-06P-M-166-1	
P/N	PIN ASSIGNMENTS FRONT VIEW

3	Shell	Copper alloy	Nickel plating 60u	1
2	Plug Pin	Copper alloy	Gold plating 3u	6,8
1	Plastic core	Nylon UL94 V-0	Black	1
NO.	ITEM	MATERIALS	SURFACE	QUANTITY

Unless Otherwise specified tolerance
X. ±0.35 X.XX: ±0.20
X.X: ±0.25 X.XXX: ±0.15

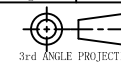
SCALE: As Shown UNIT: mm
DRAW ZLA DATE 19/04/2022
CHECK BobYang DATE 19/04/2022

Antenk ANTENK ELECTRONICS CO., LTD
Http://www.antenk.com
E-mail: sales@antenk.com

TITLE:
M8 6~8P Male Wire Side

DRAWING NO: M8-XP-M-166-1

PRODUCT NO: M8-XP-M-166-1



3rd ANGLE PROJECTION

REV	DESCRIPTION	DATE
1		