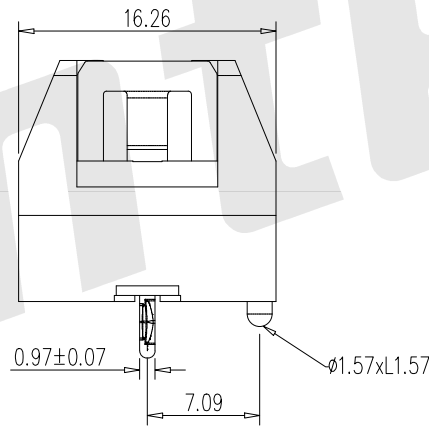
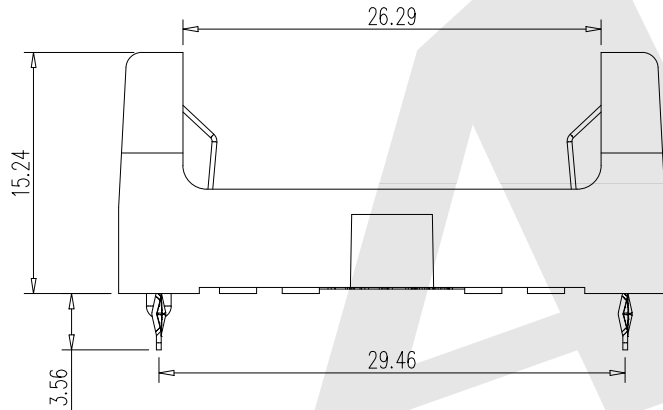
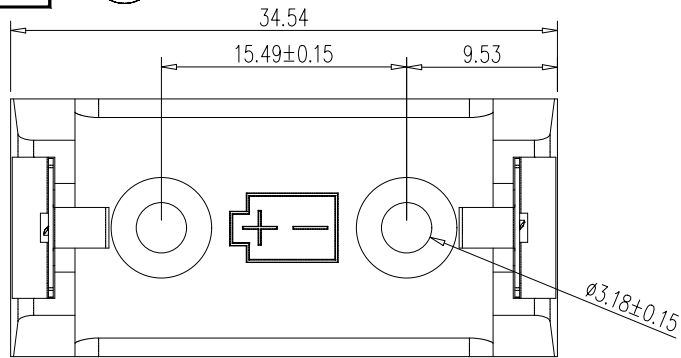


HSF



Material:  
 Base: PBT+30%CF, BLACK, UL94V-0;  
 CONTACT: 0.3MM THK STAINLESS STEEL  
 FINISH: BRIGHT TIN 200U" OVER NICKEL 50U"

BBC - S - SN - A - 08  
 ① ② ③ ④ ⑤

- ① BBC: Battery Holder 电池盒
- ② Appearance for the product 连接形式  
S: 180°
- ③ Contact Plating 端子电镀  
 SI: Tin NICKEL Plated 锡镍合金 G2: 5U" Gold 金  
 SN: Tin 锡 G3: 10U" Gold 金  
 GO: Gold flash 普金 G4: 15U" Gold 金  
 G1: 3U" Gold 金 G5: 30U" Gold 金
- ④ Packing method 包装方式  
A: Tray packing 吸塑盒装  
B: BAG 袋装
- ⑤ Product number 产品编号  
08

Unless Otherwise specified tolerance  
 X.±0.35 X.XX:±0.20  
 X.X:±0.25 X.XXX:±0.15

SCALE: As Shown UNIT: mm  
 DRAW ZLA DATE 26/12/2023  
 CHECK BobYang DATE 26/12/2023

VER./版本号 A0  
 3rd ANGLE PROJECTION

**Antenk**® ANTENK ELECTRONICS CO., LTD  
 Http://www.antenk.com  
 E-mail:sales@antenk.com

TITLE: Single Battery Holder For 1/2AA THM

DRAWING NO: BBC-S-SN-A-08

PRODUCT NO: BBC-S-SN-A-08

MK/标记

DESCRIPTION/修订内容

DATE/日期(M/D/Y)