

HSF



ROHS

SPECIFICATIONS

- Voltage rating: 350V AC,DC
- Current rating: 3A AC,DC
- Withstanding Voltage: 500V AC/minute
- Insulation resistance:1000MΩ min
- Temperature range: -40°C~+105°C

WAFER

- Part NO: AW1502R-S-xP
- Material: Pin: Brass/Tin over Nickel
Insulator: Nylon 6T, UL94V-0
- Mates with: AH1502 series Housing
- Color: Ivory

Ordering Information:

AW1502R-S-XP - **

1 2

1.Part No.

2.Color:

(blank) - Ivory

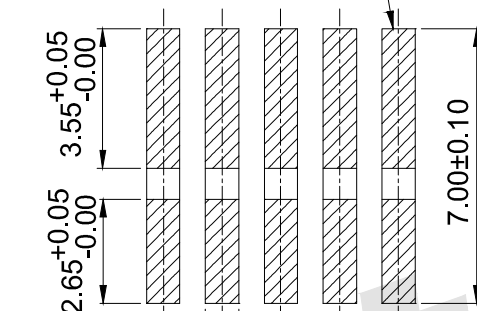
BK - Black

Ordering Information & Dimensions:

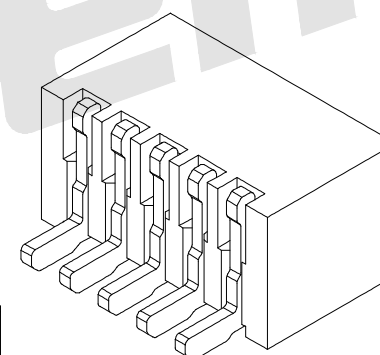
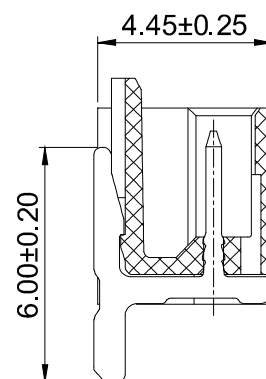
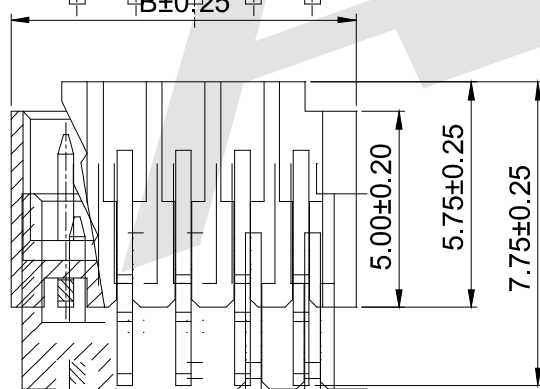
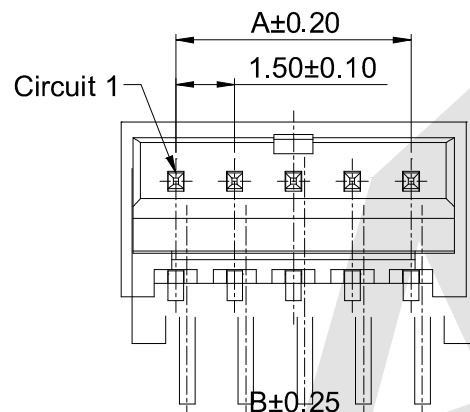
| Poles | Part No. | Dimensions(mm) | |
|-------|---------------|----------------|-------|
| | | A | B |
| 02 | AW1502R-S-02P | 1.50 | 4.30 |
| 03 | AW1502R-S-03P | 3.00 | 5.80 |
| 04 | AW1502R-S-04P | 4.50 | 7.30 |
| 05 | AW1502R-S-05P | 6.00 | 8.80 |
| 06 | AW1502R-S-06P | 7.50 | 10.30 |
| 07 | AW1502R-S-07P | 9.00 | 11.80 |
| 08 | AW1502R-S-08P | 10.50 | 13.30 |
| 09 | AW1502R-S-09P | 12.00 | 14.80 |
| 10 | AW1502R-S-10P | 13.50 | 16.30 |
| 11 | AW1502R-S-11P | 15.00 | 17.80 |
| 12 | AW1502R-S-12P | 16.50 | 19.30 |
| 13 | AW1502R-S-13P | 18.00 | 20.80 |
| 14 | AW1502R-S-14P | 19.50 | 22.30 |
| 15 | AW1502R-S-15P | 21.00 | 23.80 |

Unit:mm

Circuit 1



P.C.B LAYOUT



Unless Otherwise specified tolerance
 X. ±0.35 X.XX: ±0.20
 X.X: ±0.25 X.XXX: ±0.15

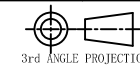
| | |
|--------------------|--------------------|
| SCALE: As Shown | UNIT: mm |
| DRAW Jack Bao | DATE 12/16/2017 |
| CHECK Bob Yang | DATE 12/16/2017 |

Antenk® ANTENK ELECTRONICS CO., LTD
[Http://www.antenk.com](http://www.antenk.com)
 E-mail:sales@antenk.com

TITLE: 1.50mm pitch 90° Wafer-SMT Connector Series

DRAWING NO: AW1502R-S-xP

PRODUCT NO: AW1502R-S-xP



3rd ANGLE PROJECTION

| REV | DESCRIPTION | DATE |
|-----|-------------|------|
| 1 | | |
| 2 | | |
| 3 | | |
| 4 | | |
| 5 | | |