

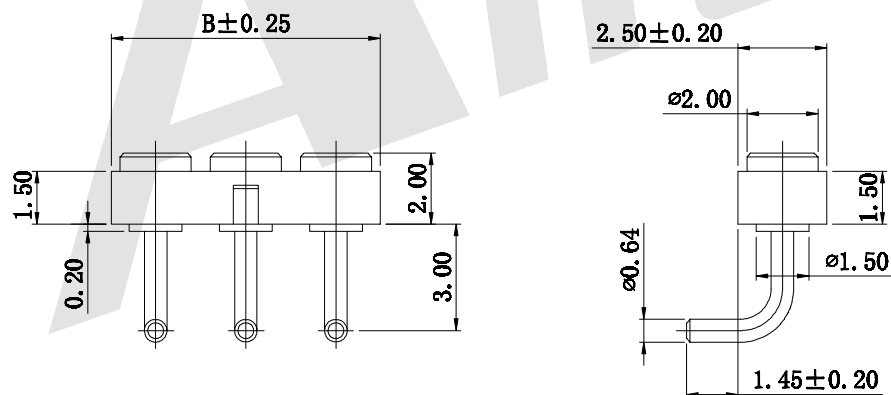
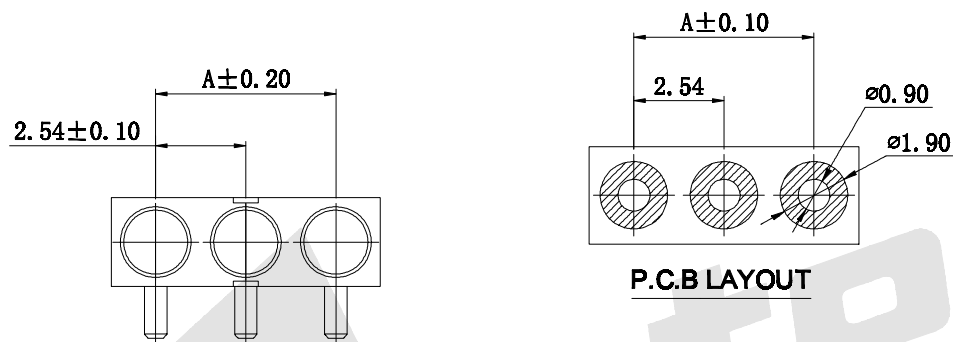


SPECIFICATIONS

- Voltage rating: 250V AC,DC
- Current rating: 4A AC,DC
- Withstanding Voltage: 1000V AC/minute
- Insulation resistance:1000MΩ min
- Temperature range: -40℃~+105℃

WAFER

- Part NO: AW2543RE-xP
- Material: Pin: Brass/Gold over Nickel
Insulator: Nylon 66, UL94V-0
- Mates with: AH2543 series Housing
- Color: Black



Ordering Information & Dimensions:

Poles	Part No.	Dimensions (mm)	
		A	B
02	AW2543RE-02P	2.54	5.06
03	AW2543RE-03P	5.08	7.60
04	AW2543RE-04P	7.62	10.14
05	AW2543RE-05P	10.16	12.68
06	AW2543RE-06P	12.70	15.22
07	AW2543RE-07P	15.24	17.76
08	AW2543RE-08P	17.78	20.30
09	AW2543RE-09P	20.32	22.84
10	AW2543RE-10P	22.86	25.38
11	AW2543RE-11P	25.40	27.92
12	AW2543RE-12P	27.94	30.46
13	AW2543RE-13P	30.48	33.00
14	AW2543RE-14P	33.02	35.54
15	AW2543RE-15P	35.56	38.08
16	AW2543RE-16P	38.10	40.62
17	AW2543RE-17P	40.64	43.16
18	AW2543RE-18P	43.18	45.70
19	AW2543RE-19P	45.72	48.24
20	AW2543RE-20P	48.26	50.78

Unit:mm

Unless Otherwise specified tolerance
 X ±0.35 X, XX:±0.20
 X, X:±0.25 X, XXX:±0.15

SCALE: As Shown UNIT: mm
 DRAW Jack Bao DATE 06/19/2018
 CHECK Bob Yang DATE 06/19/2018



Antenk ANTENK ELECTRONICS CO.,LTD
 Http://www.antenk.com
 E-mail:sales@antenk.com

TITLE: 2.54mm pitch 90° Wafer Connector Series

DRAWING NO: AW2543RE-xP

PRODUCT NO: AW2543RE-xP

REV	DESCRIPTION	DATE
1		