

HSF



ROHS

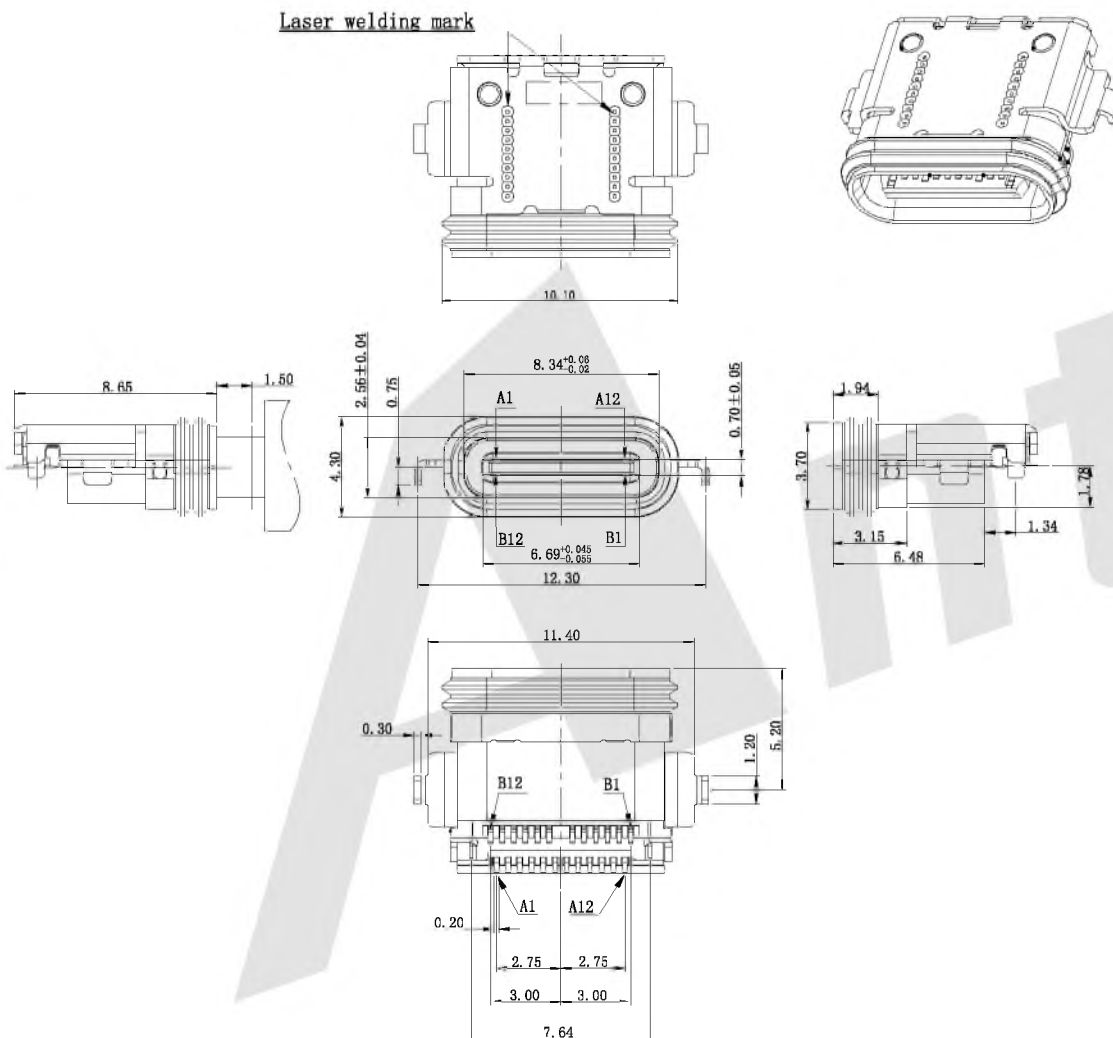
Ordering Code:

WU3.1FM05 - X - L - X - X - X
① ② ③ ④ ⑤ ⑥

- ① Series No:
- ② Shell Material:
B:Brass
S:Stainless steel
- ③ Insulator Material:
L:LCP
- ④ Contact Material:
B:Brass
P:Phosphor Copper
- ⑤ Contact Plating:
G0: Gold flash
G1: 3u" Gold
G2: 5u" Gold
G3: 10u" Gold
G4: 15u" Gold
G5: 30u" Gold
- ⑥ Packing:
A:Tray
B:Bag
C:Tube
D:Tape & Reel

NOTES:

1. MATERIAL:
MOLDING: LCP UL94 V-0
CONTACT: COPPER ALLOY.
PLATED GOLD ON CONTACT AREA,
G/F GOLD ON SOLDER AREA,
50u" NICKEL PLATING OVER ALL.
SHELL: SUS304-H, T=0.30±0.03mm
50u" NICKEL PLATING OVER ALL.
EMI SHILD: SUS304-H, T=0.12±0.03mm
LATCH: SUS301-H, T=0.15±0.03mm
2. MECHANICAL:
INSERTION: 5~20N.
EXTRACTION: 8~20N.
DURABILITY: 10000 CYCLES
3. ELECTRICAL:
CURRENT: 5A MAX FOR VBUS;
1.25A FOR GND, 0.25A FOR OTHER OTHER.
VOLTAGE: 20VDC MAX
WITHSTANDING VOLTAGE: 100V AC.
CONTACT RESISTANCE: 40mΩ MAX.
INSULATION RESISTANCE: 100MΩ MIN.
4. ENVIRONMENTAL
TEMPERATURE RANGE: -55° C TO +80° C



Unless Otherwise specified tolerance
 X. ±0.35 X.XX: ±0.20
 X.X: ±0.25 X.XXX: ±0.15

SCALE: As Shown UNIT: mm
 DRAW ZLA DATE 18/02/2022
 CHECK BobYang DATE 18/02/2022



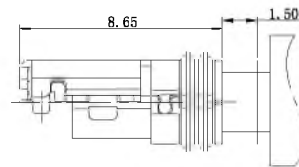
Antenk® ANTENK ELECTRONICS CO.,LTD
 Http://www.antenk.com
 E-mail:sales@antenk.com

TITLE:
 USB3.1 24P Female Waterproof Full SMT offset type

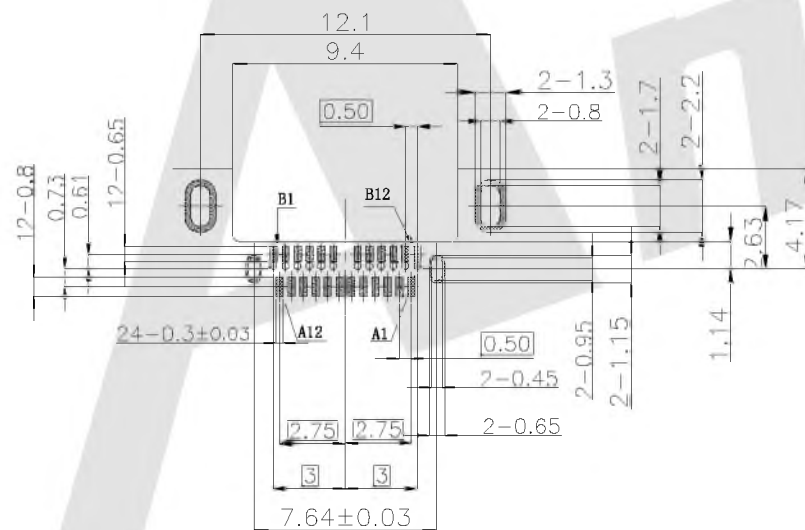
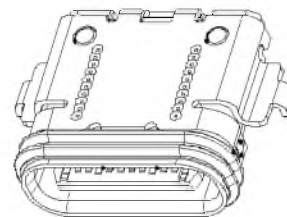
DRAWING NO: WU3.1FM05-XLXXX

PRODUCT NO: WU3.1FM05-XLXXX

REV	DESCRIPTION	DATE



AFTER MATING



RECOMMENDED PCB LAYOUT (TOP VIEW)
THICKNESS 1.0 MM; DEFAULT TOLERANCE: ±0.05

USB TYPE-C FULL-FEATURED RECEPTACLE INTERFACE PIN ASSIGNMENTS

PIN	Signal Name	Description	PIN	Signal Name	Description
A1	GND	Ground return	B12	GND	Ground return
A2	SSTXp1	Positive half of first SuperSpeed TX differential pair	B11	SSRXp1	Positive half of first SuperSpeed RX differential pair
A3	SSTXn1	Negative half of first SuperSpeed TX differential pair	B10	SSRXn1	Negative half of first SuperSpeed RX differential pair
A4	Vbus	Bus Power	B9	Vbus	Bus Power
A5	CC1	Configuration Channel	B8	SBU2	Sideband Use (SBU)
A6	Dp1	Positive half of the USB 2.0 differential pair-Position 1	B7	Dn2	Negative half of the USB 2.0 differential pair-Position 2
A7	Dn1	Negative half of the USB 2.0 differential pair-Position 1	B6	Dp2	Positive half of the USB 2.0 differential pair-Position 2
A8	SBU1	Sideband Use (SBU)	B5	CC2	Configuraation Channel
A9	Vbus	Bus Power	B4	Vbus	Bus Power
A10	SSRXn2	Negative half of second SuperSpeed RX differential pair	B3	SSTXn2	Negative half of second SuperSpeed TX differential pair
A11	SSRXp2	Positive half of second SuperSpeed RX differential pair	B2	SSTXp2	Positive half of second SuperSpeed TX differential pair
A12	GND	Ground return	B1	GND	Ground return

Unless Otherwise specified tolerance
 X. ±0.35 X.XX: ±0.20
 X.X: ±0.25 X.XXX: ±0.15

SCALE: As Shown UNIT: mm
 DRAW ZLA DATE 18/02/2022
 CHECK BobYang DATE 18/02/2022



Antenk® ANTENK ELECTRONICS CO.,LTD
 Http://www.antenk.com
 E-mail:sales@antenk.com

TITLE:
 USB3.1 24P Female Waterproof Full SMT offset type

DRAWING NO: WU3.1FM05-XLXXX

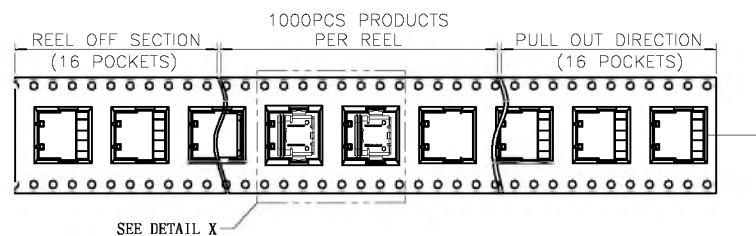
PRODUCT NO: WU3.1FM05-XLXXX

REV	DESCRIPTION	DATE

HSF

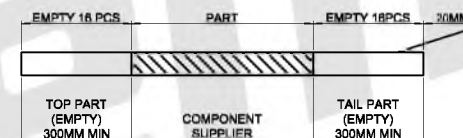
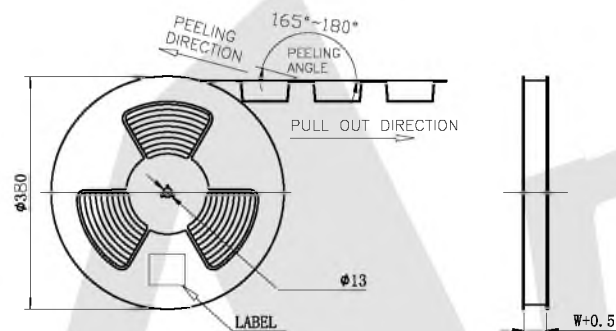


ROHS

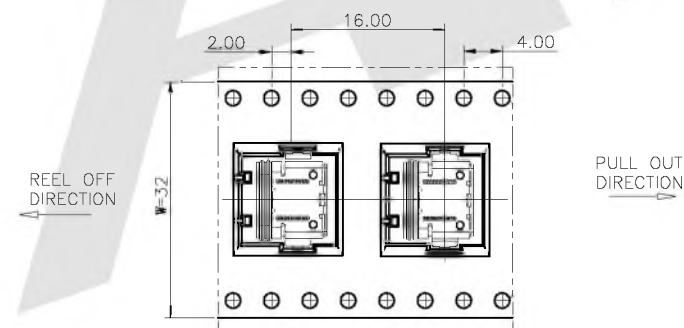


NOTES

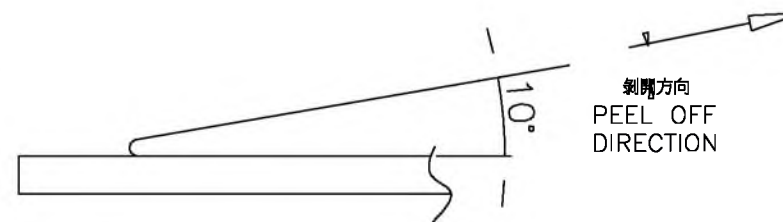
- 1. 帶子引導長度
LEAD TAPE LENGTH
出料方向
PULL OUT DIRECTION



- 2. 上帶剝離力: 0.1~1.3N(10.2gf~130gf)
PEELING OFF FORCE OF TOP TAPE: 0.1~1.3N(10.2gf~130gf)
出貨運輸過程中一定注意:
THIS REQUIREMENT SHOULD BE APPLIED AT SHIPMENT:
卷帶在運輸過程中不能散開
PEELING OFF SHOULD NOT BE ALLOWED DURING TRANSPORTATION



DETAIL X
SCALE 2:1



Unless Otherwise specified tolerance
 X. ±0.35 X.XX: ±0.20
 X.X: ±0.25 X.XXX: ±0.15

Antenk® ANTENK ELECTRONICS CO., LTD
[Http://www.antenk.com](http://www.antenk.com)
 E-mail:sales@antenk.com

SCALE: As Shown UNIT: mm
 DRAW ZLA DATE 18/02/2022
 CHECK BobYang DATE 18/02/2022

TITLE:
 USB3.1 24P Female Waterproof Full SMT offset type



DRAWING NO: WU3.1FM05-XLXXX
 PRODUCT NO: WU3.1FM05-XLXXX

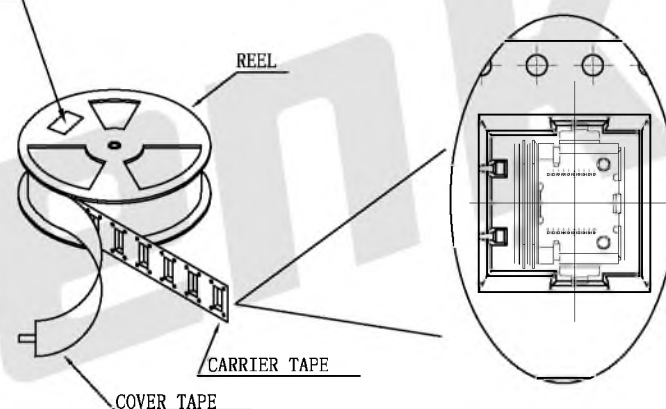
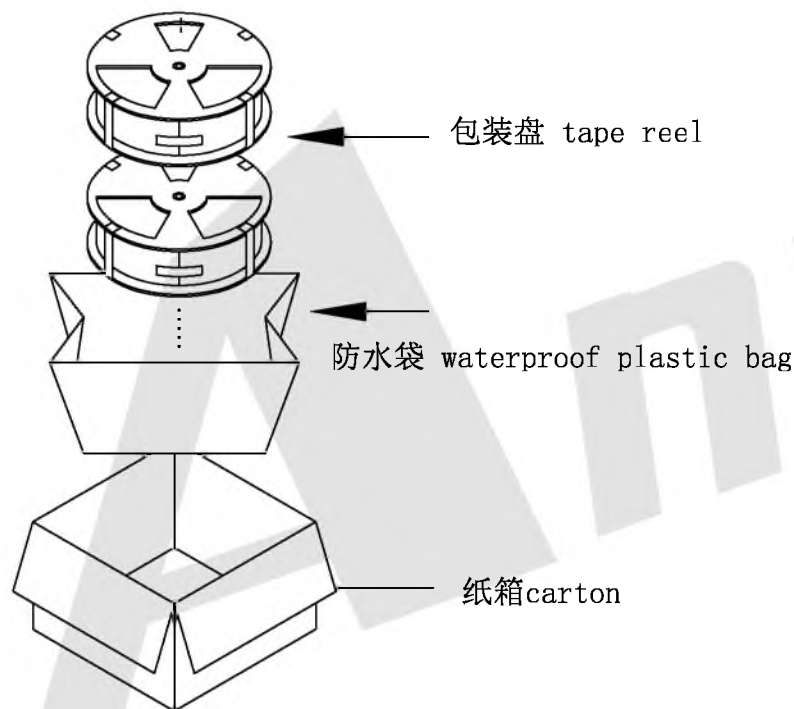
REV	DESCRIPTION	DATE

HSF



ROHS

Location of label sticking (label at small positioning hole of the carrier tape side).
 标签粘贴处 (朝卷装包材的小定位孔一侧)



NOTE:

1. 每卷包装数量及每箱装箱数量如左下表格。
Packing q'ty of each reel & carton as below table shown.
2. 以上胶帶覆盖下包装帶经包装机自粘包装
Use cover tape to cover and hot melt machine to seal up.
3. 將裝滿产品的卷盘放入纸箱并以胶帶封口
Put reels in the carton and use adhesive tape to seal up.

Unless Otherwise specified tolerance
 X. ±0.35 X.XX: ±0.20
 X.X: ±0.25 X.XXX: ±0.15

SCALE: As Shown UNIT: mm
 DRAW GONG FENG DATE 18/02/2022
 CHECK BobYang DATE 18/02/2022



Antenk® ANTENK ELECTRONICS CO., LTD
 Http://www.antenk.com
 E-mail:sales@antenk.com

TITLE:
 USB3.1 24P Female Waterproof Full SMT offset type

DRAWING NO: WU3.1FM05-XLXXX

PRODUCT NO: WU3.1FM05-XLXXX

REV	DESCRIPTION	DATE