



NO.	ITEM	MATERIAL	COLOR	REMARKS
3	SHELL	SPCC	—	GOLD OR NICKEL PLATED
2	TERMINAL	C2680	—	GOLD/TIN PLATED
1	HOUSING	LCP	BLACK	UL 94V-0

NONES:

1. ELECTRICAL:

1) CONTACT RESISTANCE: 30mΩ MAX (INITIAL) FOR VBUS AND GND CONNECTS,
OTHER 50mΩ MAX (INITIAL)

Changes after environmental and life testing: +10Ω MAX

2) INSULATION RESISTANCE: 100MΩ MIN.

3) RATED CURRENT: 1.5A

4) WITHSTAND VOLTAGE: 100V AC (RMS)

2. MECHANICAL

1) INSERT FORCE: 35N MAX.

2) WITHDRAWAL FORCE: 10N (INITIAL) MIN.

AFTER RECYCLE TEST: 8N MIN.

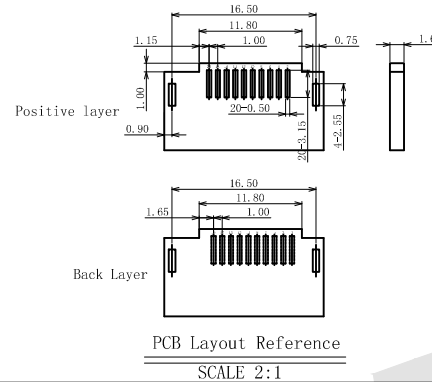
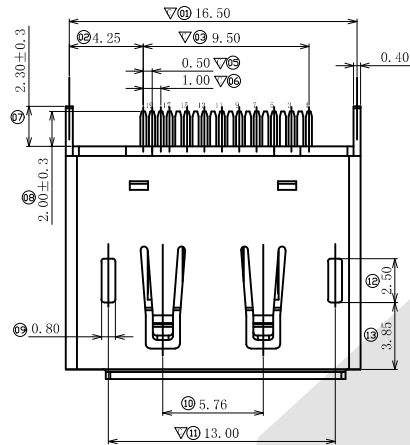
3) CYCLE LIFE: 5000 CYCLES

3. ENVIRONMENTAL CHARACTERS: TEMPERATURE RANGE: -40°C ~ +85°C

4. Conforms to the company's environmental substance management standards

A

A



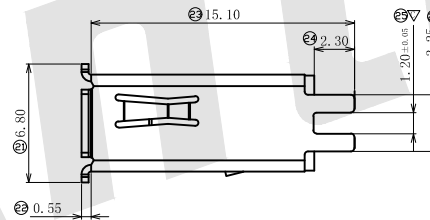
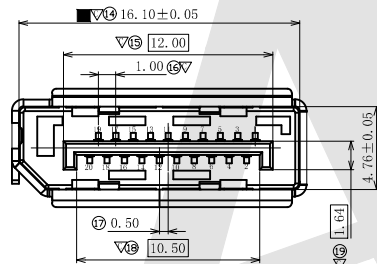
▽: Key control size.

⊗: FAI SIZE.

■: CPK SIZE.

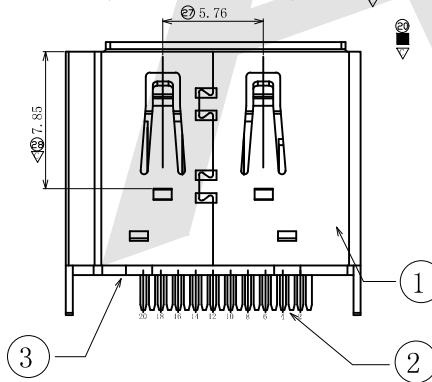
B

B



C

C



PIN	DEFINITION	PIN	DEFINITION
1	ML_Lane0 (P)	11	GND
2	GND	12	ML_Lane3 (N)
3	ML_Lane0 (N)	13	CFG1
4	ML_Lane1 (P)	14	CFG2
5	GND	15	AUX (HLP)
6	ML_Lane1 (N)	16	GND
7	ML_Lane2 (P)	17	AUX (HLP)
8	GND	18	HOT PLUG
9	ML_Lane2 (N)	19	Retain (for Pwr)
10	ML_Lane3 (P)	20	DP-PWR (3.3V 500mA)

Ordering Code:

DP - F - X - X - 12
① ② ③ ④ ⑤

① Series No:

② Male / female:

F: female

③ Contact Plating:

1: Selective 1u"

2: Selective 3u"

3: Selective 5u"

4: Selective 15u"

5: Selective 30u"

6: All Gold

④ Shell Plating:

1: Nickel Plated

2: Tin-Nickel Plated

3: Gold Plated

⑤ Series Numer:

12

D

D

Unless Otherwise specified tolerance
X. ±0.35 X.XX: ±0.20
X.X: ±0.25 X.XXX: ±0.15

SCALE: As Shown UNIT: mm

DRAW ZLA DATE 26/03/2022

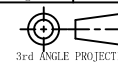
CHECK BobYang DATE 26/03/2022

Antenk ANTEK ELECTRONICS CO., LTD
Http://www.antenk.com
E-mail: sales@antenk.com

TITLE:
Display Port Female Straddle 1.2mm, SPCC
Shell, With Edge Curl

DRAWING NO: DP-FXX12

PRODUCT NO: DP-FXX12



REV

DESCRIPTION

DATE

1

2

3

4

5

6

7

8