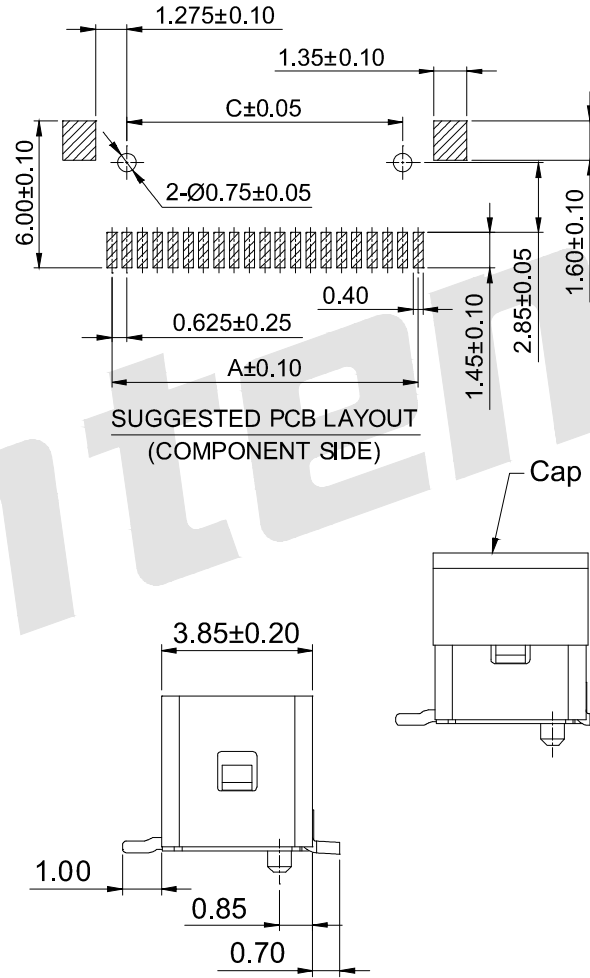
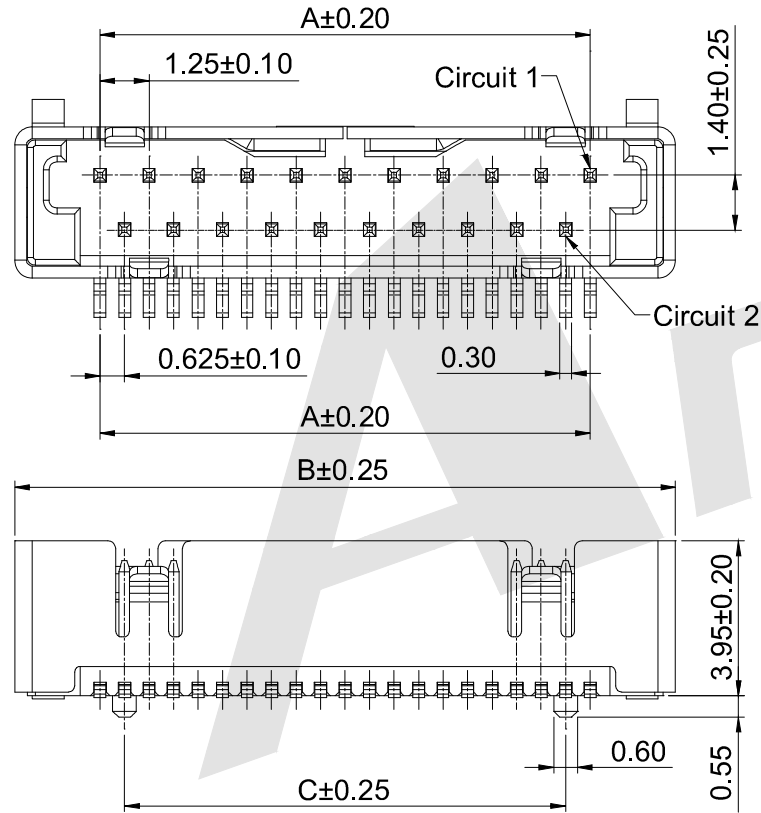


HSF



ROHS



SPECIFICATIONS

- Voltage rating: 150V AC,DC
- Current rating: 1A AC,DC
- Withstanding Voltage: 500V AC/minute
- Insulation resistance: 500MΩ min
- Temperature range: -40°C~+105°C

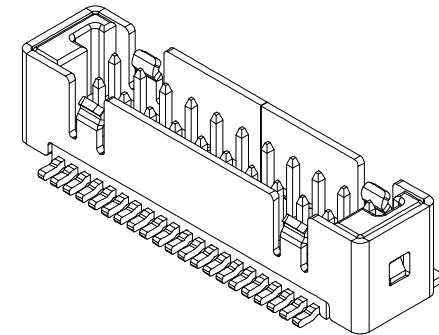
WAFER

- Part NO: AW1256VD-S-F-xP
- Material: Pin: Brass/Gold over Nickel
Shell: Brass/Tin over Nickel
Insulator: Nylon 6T, UL94V-0
Cap: Nylon 6T, UL94V-0
- Mates with: AH1256 series Dual Row Housing
- Color: White

Ordering Information & Dimensions:

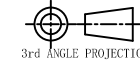
Poles	Part No.	Dimensions (mm)		
		A	B	C
21	AW1256VD-S-F-21P	12.50	16.85	11.25
31	AW1256VD-S-F-31P	18.75	23.10	17.50

Unit:mm



Unless otherwise specified tolerance
 X. ±0.35 X.XX: ±0.20
 X.X: ±0.25 X.XXX: ±0.15

SCALE: As Shown	UNIT: mm
DRAW Jack Bao	DATE 11/04/2017
CHECK Bob Yang	DATE 11/04/2017



Antenk® ANTENK ELECTRONICS CO., LTD
[Http://www.antenk.com](http://www.antenk.com)
 E-mail:sales@antenk.com

TITLE: 1.25mm pitch 180° Dual Row Wafer-SMT Connector Series

DRAWING NO: AW1256VD-S-F-xP

PRODUCT NO: AW1256VD-S-F-xP

REV	DESCRIPTION	DATE