



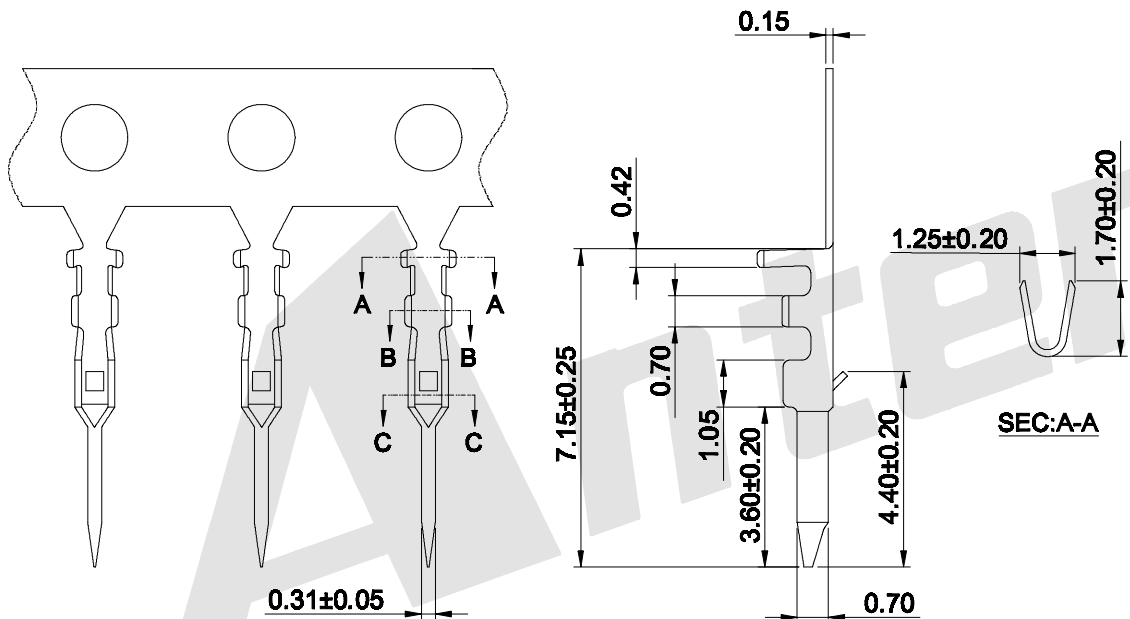
ROHS

SPECIFICATIONS

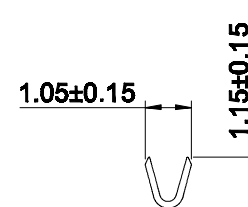
- Voltage rating: 125V AC/DC
- Current rating: 1A AC, DC
- Withstanding Voltage: 500V AC/minute
- Insulation resistance: 100M Ω Min
- Temperature range: -40°C~+105°C
- Contact resistance: 20m Ω Max
- Compliant with RoHs and REACH

TERMINAL

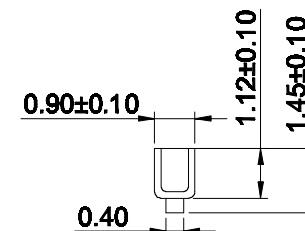
- Part NO: AT1251MT-xP
- Applicable wire: AWG#28-#32
- Material: Phosphor Bronze
- Finish: Tin Plated or Gold
- Used in AH1251M series Housing



SEC:A-A



SEC:B-B



SEC:C-C

Ordering information & Specifications

Unit:mm

Part NO.	Wire Range	Insulation O.D.	Material	Finish	Qty/reel
AT1251MT-TP	AWG#28-#32	1.00mm(max)	Phosphor Bronze	Tin over Nickel	15,000 PCS
AT1251MT-GP	AWG#28-#32	1.00mm(max)	Phosphor Bronze	Gold over Nickel	15,000 PCS

Optional Gold plating available but MOQ requested

Unless Otherwise specified tolerance
 X ±0.35 X XX:±0.20
 X X:±0.25 X XXX:±0.15

SCALE: As Shown UNIT: mm
 DRAW Jack Bao DATE 11/04/2017
 CHECK Bob Yang DATE 11/04/2017



Antenk ANTENK ELECTRONICS CO.,LTD
[Http://www.antenk.com](http://www.antenk.com)
 E-mail:sales@antenk.com

TITLE:1.25mm pitch Crimp Terminal Connector series

DRAWING NO: AT1251MT-xP

PRODUCT NO: AT1251MT-xP

REV	DESCRIPTION	DATE
1		
2		
3		
4		
5		