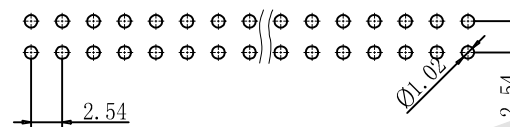
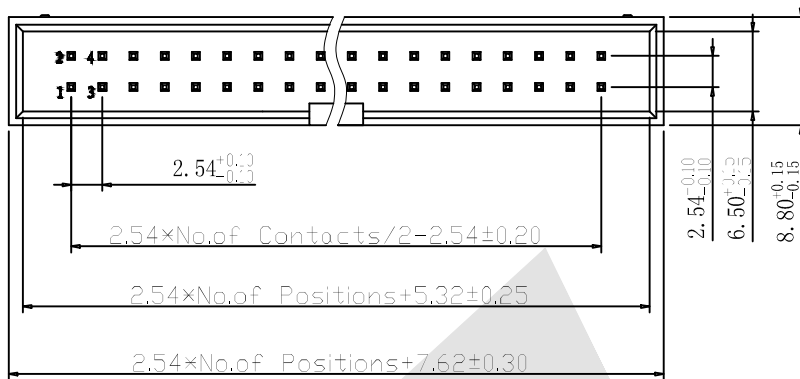




# SPECIFICATION

Current Rating: 3.0Amp  
 Insulation Resistance: 1000MΩ min  
 Contact Resistance: 20MΩ max  
 Withstand Voltage: 500V AC/DC  
 Operating Temperature: -40°C to +105°C  
 Contact Material: Brass  
 Contact Plating: Au or Sn Over Ni  
 Insulator Material: PBT/PA6T+30%GF UL 94V-0

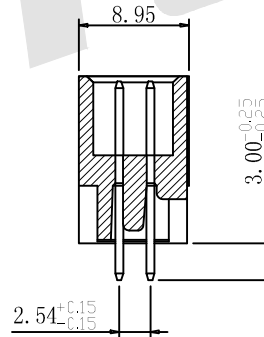
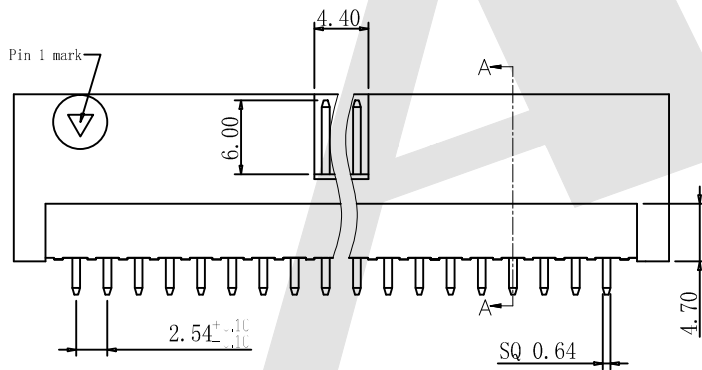
Recommended P.C.B Layout (Top Side)  
 (PCB BOARD TOLERANCE ±0.05)



## Ordering Code:

BHDS03 - X - X - X - X - X  
 ① ② ③ ④ ⑤ ⑥

- ① Series No:
- ② No.of Contacts  
6 8 10 12  
14 16 18 20  
24 26 30 34  
40 50 60 64
- ③ Contact Plating:  
G0:Gold flash S0:Selective  
G1:3u" Gold S1:Selective 3u"  
G2:5u" Gold S2:Selective 5u"  
G3:10u" Gold S3:Selective 10u"  
G4:15u" Gold S4:Selective 15u"  
G5:30u" Gold S5:Selective 30u"  
SN:Tin
- ④ Color Insulator  
B:Black  
U:Blue  
G:Gray
- ⑤ Insulator Material  
A:PBT  
B:PA6T  
C:LCP  
D:PA46  
E:PA9T
- ⑥ Packing  
A:Tray  
B:Bag  
T:Tube  
U:Tube+CAP  
R:Tape&Reel  
W:Tape&Reel+CAP



SECTION A-A

Unless Otherwise specified tolerance  
 X. XX: ±0.20  
 X. X: ±0.25 X. XXX: ±0.15

SCALE: As Shown UNIT: mm  
 DRAW YG ZHONG DATE 01/05/2016  
 CHECK BobYang DATE 01/05/2016



**Antenk** ANTENK ELECTRONICS CO., LTD  
 Http://www.antenk.com  
 E-mail:sales@antenk.com

TITLE:  
2.54mm Box Header 180° H=13.60

DRAWING NO: BHDS03-XXXXX  
 PRODUCT NO: BHDS03-XXXXX

REV	DESCRIPTION	DATE
1		
2		
3		
4		
5		