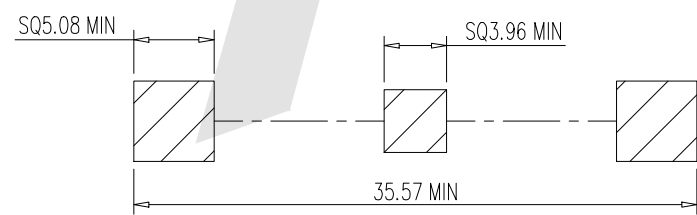
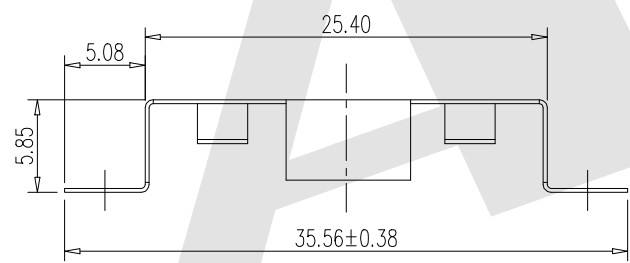
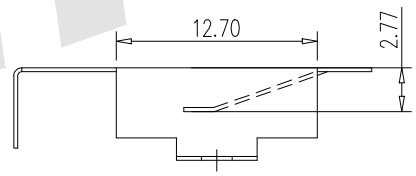
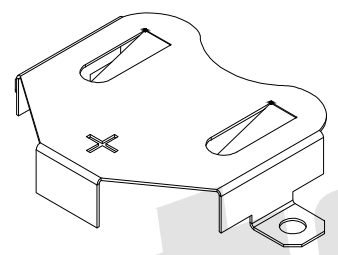
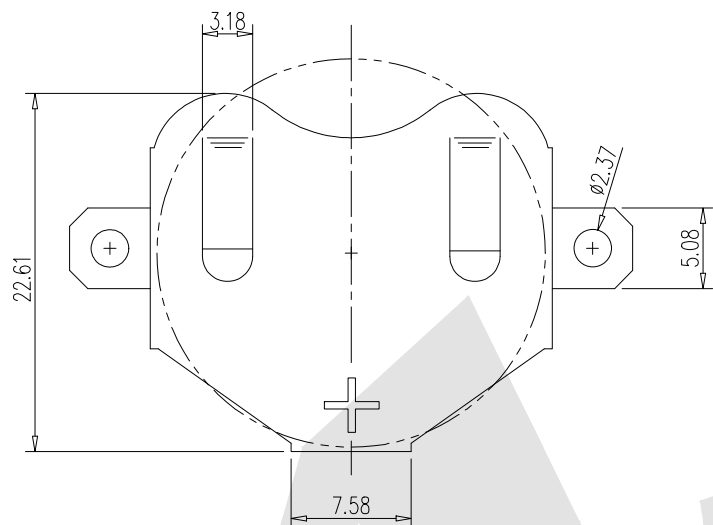


HSF



NOTES:  
 1.MATERIAL: PHOSPHOR BRONZE,T=0.25mm.  
 2.PLATING:  
 80U" Min TIN PLATED OVERALL  
 50U" Min NICKEL PLATED UNDER OVERALL  
 3. THIS PRODUCT IS SUITABLE FOR 24MM BATTERY

Order code:

BS - M - NI - R - 3008  
 ① ② ③ ④ ⑤

- ① BS: Battery Contacts
- ② Apperance for the product  
M: SMT TYPE
- ③ Contact Plating  
NI: NICKEL PLATE  
SN: Tin  
G0: Gold flash  
G1: 3u" Gold  
G2: 5u" Gold  
G3: 10u" Gold  
G4: 15u" Gold  
G5: 30u" Gold
- ④ Packing method  
R: Tape & reel packing  
B: Bag packing
- ⑤ Product number  
3008: 3008 STYLE

Unless Otherwise specified tolerance  
 X.±0.35 X.XX:±0.20  
 X.X:±0.25 X.XXX:±0.15

SCALE: As Shown UNIT: mm  
 DRAW ZLA DATE 07/04/2023  
 CHECK BobYang DATE 07/04/2023

VER./版本号 3rd ANGLE PROJECTION

**Antenk** ANTENK ELECTRONICS CO.,LTD  
 Http://www.antenk.com  
 E-mail:sales@antenk.com

TITLE: 2450 SM COIN CELL CLIP

DRAWING NO: BS-M-NI-R-3008

PRODUCT NO: BS-M-NI-R-3008

MK/标记	DESCRIPTION/修订内容	DATE/日期(M/D/Y)
-------	------------------	----------------