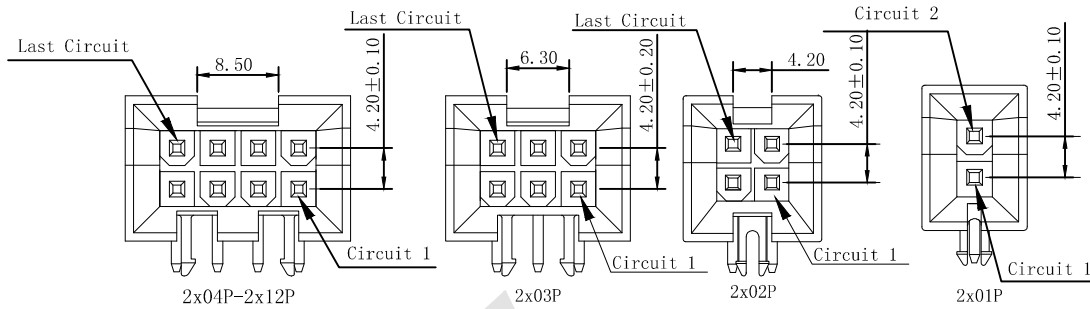




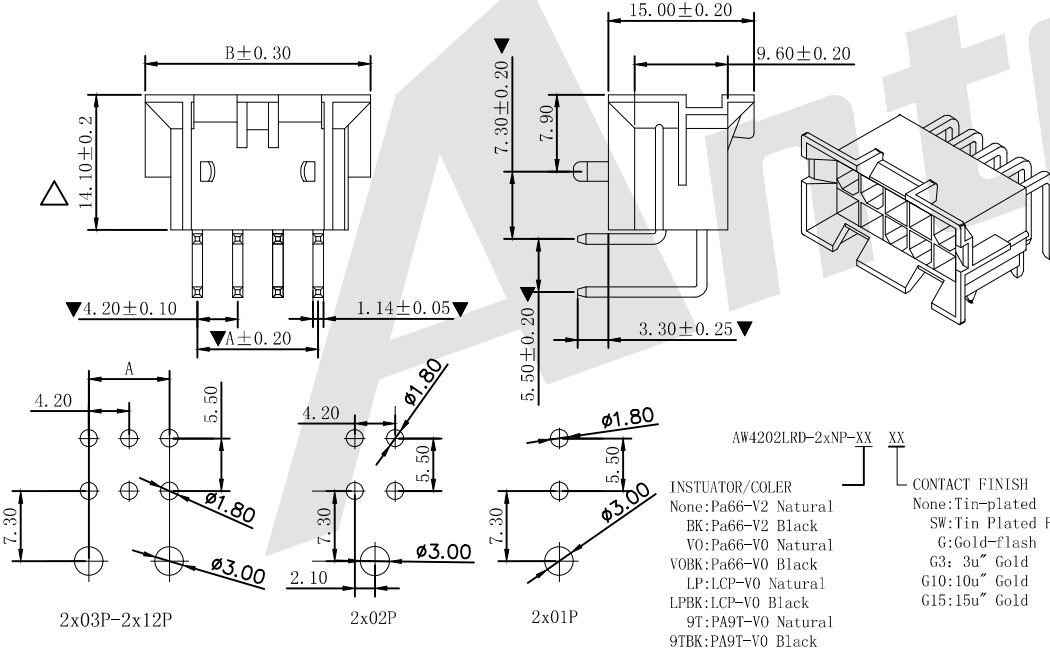
A

A



B

B



C

C

PCB LAYOUT:Component Side
Recommended PCB Thickness 1.78 MAX

AW4202LRD-2xNP-XX XX

INSULATOR/COLOR
None:Pa66-V2 Natural
BK:Pa66-V2 Black
VO:Pa66-V0 Natural
VOBK:Pa66-V0 Black
LP:LCP-V0 Natural
LPBK:LCP-V0 Black
9T:PA9T-V0 Natural
9TBK:PA9T-V0 Black

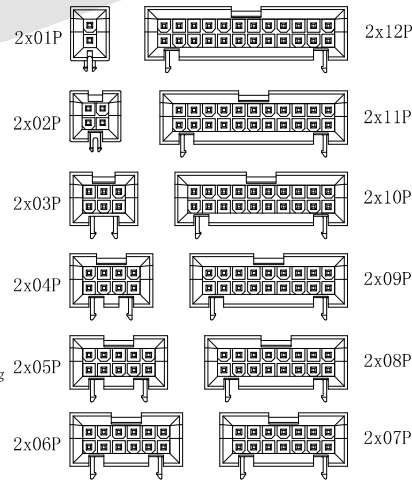
CONTACT FINISH
None: Tin-plated
SW: Tin Plated Fog
G: Gold-flash
G3: 3u" Gold
G10: 10u" Gold
G15: 15u" Gold

SPECIFICATIONS

- Voltage rating: 600V AC/DC
- Current rating: 7A, AC, DC
- Withstanding Voltage: 1500V AC/minute
- Insulation resistance: 1000MΩ min
- Temperature range: -25℃~+85℃
- Contact resistance: 20mΩ max

WAFER

- Part NO: AW4202LRD-2xNP-XXXX
- Poles: 02-24P
- Housing Material: Nylon66 UL94V-2 or UL94V-0
- Pin Material: Brass
- Contact Area Plating: Tin-Plated or Gold-Flash
- Mates With: AW4201VTD, AH4201L and AH4201 dual row receptacle
- The Dimension Marked "▼" Must Be Recorded



CIRCUIT SIZE LAYOUT

Poles	Part No.	Dimensions (mm)	
		A	B
2	AW4202LRD-2x01P-XXXX	4.20	10.80
4	AW4202LRD-2x02P-XXXX	8.40	15.00
6	AW4202LRD-2x03P-XXXX	12.60	19.20
8	AW4202LRD-2x04P-XXXX	16.80	23.40
10	AW4202LRD-2x05P-XXXX	21.00	27.60
12	AW4202LRD-2x06P-XXXX	25.20	31.80
14	AW4202LRD-2x07P-XXXX	29.40	36.00
16	AW4202LRD-2x08P-XXXX	33.60	40.20
18	AW4202LRD-2x09P-XXXX	37.80	44.40
20	AW4202LRD-2x10P-XXXX	42.00	48.60
22	AW4202LRD-2x11P-XXXX	46.20	52.80
24	AW4202LRD-2x12P-XXXX	50.40	57.00

D

D

Unless Otherwise specified tolerance
X. ±0.35 X.XX: ±0.20
X.X: ±0.25 X.XXX: ±0.15



ANTENK ELECTRONICS CO., LTD
Http://www.antenk.com
E-mail:sales@antenk.com

SCALE: As Shown UNIT: mm

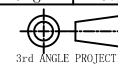
DRAW: Jack Bao DATE: 07/20/2017

CHECK: Bob Yang DATE: 07/20/2017

TITLE: MX4.20mm 90° Wafer Connector Series

△ Revise 4.1 to 14.1

08/03/2022



DRAWING NO: AW4202LRD-2xNP-XXXX

REV DESCRIPTION

DATE

PRODUCT NO: AW4202LRD-2xNP-XXXX

1

2

3

4

5

6

7

8