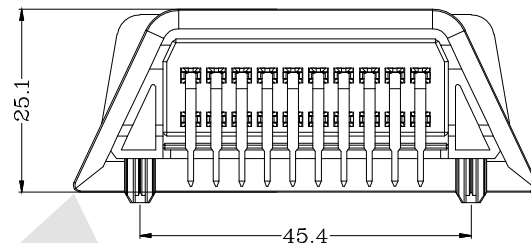
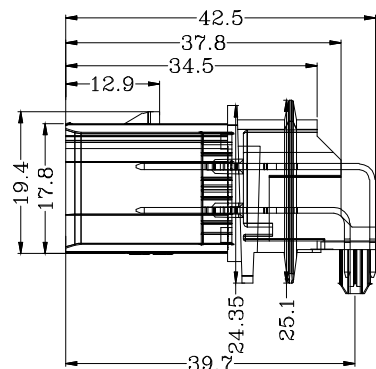


HSF



Notes:  
 1.Material:  
 Housing:PBT+30% GF  
 Terminal:Copper Alloy  
 2.Insertion Force>30N· Withdrawal Force<70N.



Ordering Code:

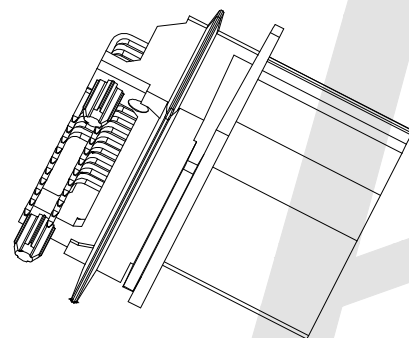
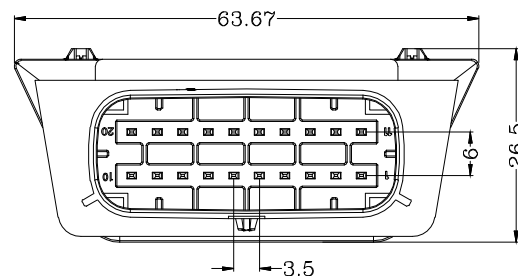
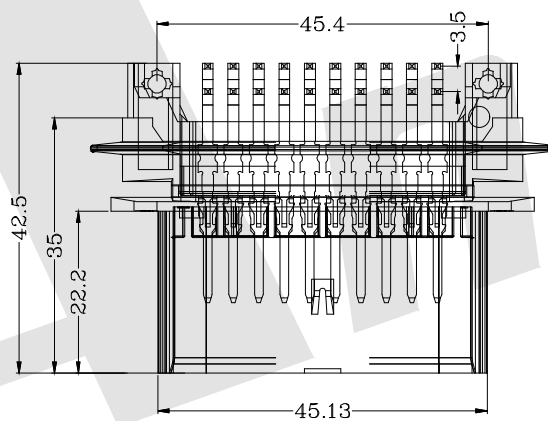
AUTO-3.5-20 SN-A-B-X  
 3.5mm pitch  
 CONTACT NO.  
 20: 20PIN

CONTACT PLATING  
 G0: Gold Flash  
 G1: 3u" Gold  
 G2: 5u" Gold  
 G3: 10u" Gold  
 G4: 15u" Gold  
 G5: 30u" Gold  
 SN: Tin

COLOR  
 B: BLACK

MATERIAL  
 A: PBT

PACK:  
 A: TRAY  
 B: BOX  
 C: TUBE



Unless Otherwise specified tolerance  
 X.±0.35 X.XX:±0.20  
 X.X:±0.25 X.XXX:±0.15

SCALE: As Shown UNIT: mm  
 DRAW ZLA DATE 10/07/2022  
 CHECK BobYang DATE 10/07/2022

VER. 3rd ANGLE PROJECTION

**Antenk**® ANTENK ELECTRONICS CO.,LTD  
 Http://www.antenk.com  
 E-mail:sales@antenk.com

TITLE: P3.5X6 04P Automotive Right Angle Male Connector

DRAWING NO: AUTO-3.5-20SN-AB-X

PRODUCT NO: AUTO-3.5-20SN-AB-X

| REV | DESCRIPTION | DATE |
|-----|-------------|------|
|     |             |      |