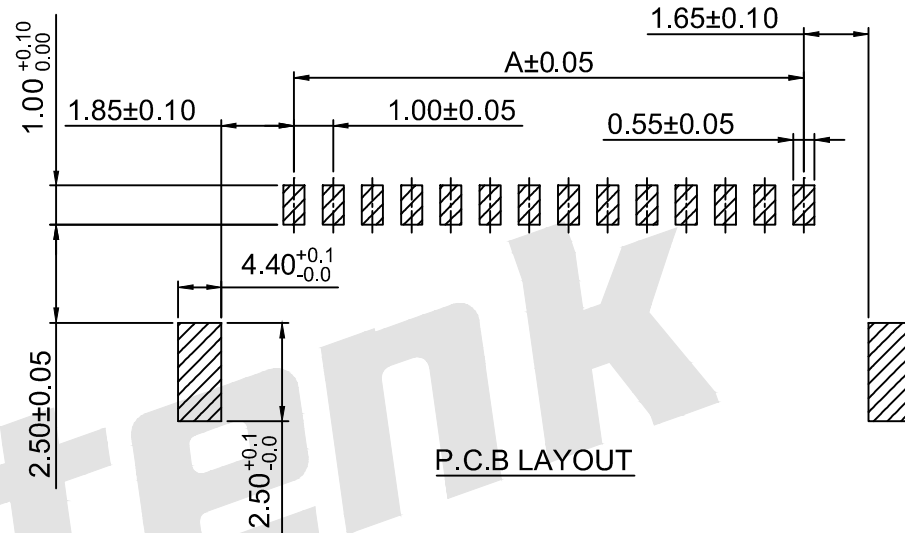
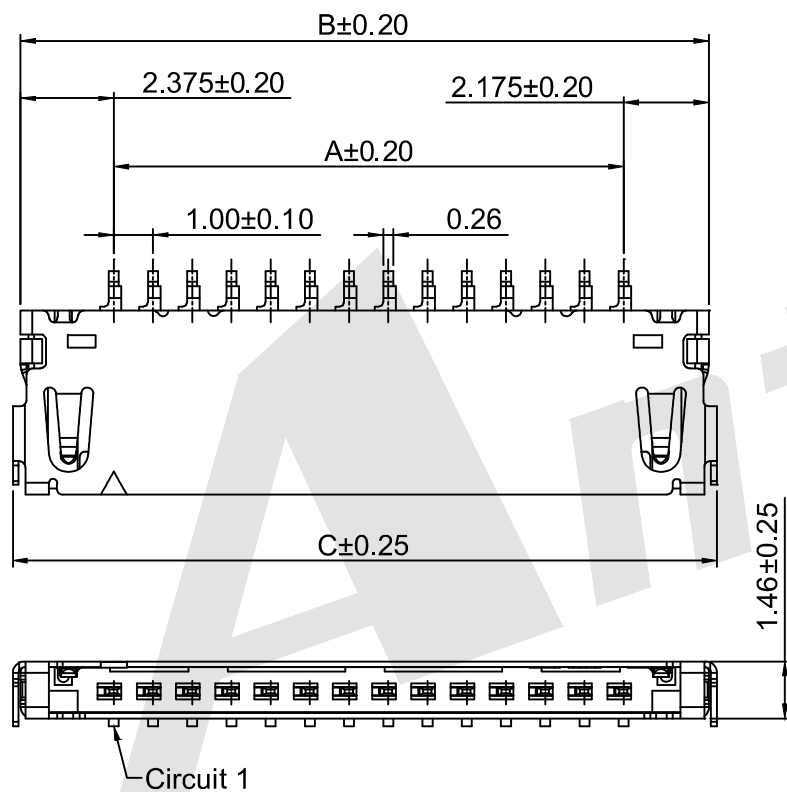


HSF



**P.C.B LAYOUT**

**SPECIFICATIONS**

- Voltage rating: 100V AC,DC
- Current rating: 1A AC,DC
- Withstanding Voltage: 500V AC/minute
- Insulation resistance: 500MΩ Min
- Temperature range: -40°C~+105°C

**WAFER**

- Part NO: AW1004R-S-xP
- Material: Pin: Phosphor Bronze/Gold over Nickel  
Shell: Phosphor Bronze/Tin over Nickel  
Insulator: Nylon 6T, UL94V-0
- Mates with: AH1004-xP series Housing
- Color: Ivory

**Ordering Information & Dimensions:**

Part No.	Dimensions (mm)		
	A	B	C
AW1004R-S-08P	7.00	11.50	11.95
AW1004R-S-14P	13.00	17.50	17.95
AW1004R-S-20P	19.00	23.50	23.95
AW1004R-S-30P	29.00	33.50	33.95

Unit: mm

Unless Otherwise specified tolerance  
 X. XX:  $\pm 0.20$   
 X. X:  $\pm 0.25$  X. XXX:  $\pm 0.15$   
 X. XX:  $\pm 0.35$



ANTENK ELECTRONICS CO., LTD  
[Http://www.antenk.com](http://www.antenk.com)  
 E-mail: sales@antenk.com

SCALE: As Shown	UNIT: mm
DRAW Jack Bao	DATE 10/23/2017
CHECK Bob Yang	DATE 10/23/2017

TITLE: 1.00mm pitch 90° Wafer-SMT Connector Series



DRAWING NO: AW1004R-S-xP

PRODUCT NO: AW1004R-S-xP

REV	DESCRIPTION	DATE