



NOTES:

- 1、BASE:
MATERIAL:HEAT RESISTANCE NYLON, BLACK.
- 2、CONTACT:
MATERIAL:0.30 THK SPRING STEEL
FINISH:GOLD FLASH, OVER NICKEL PLATE.

Ordering Code:

BBC - M - G0 - A - 1AA-024

① ② ③ ④ ⑤

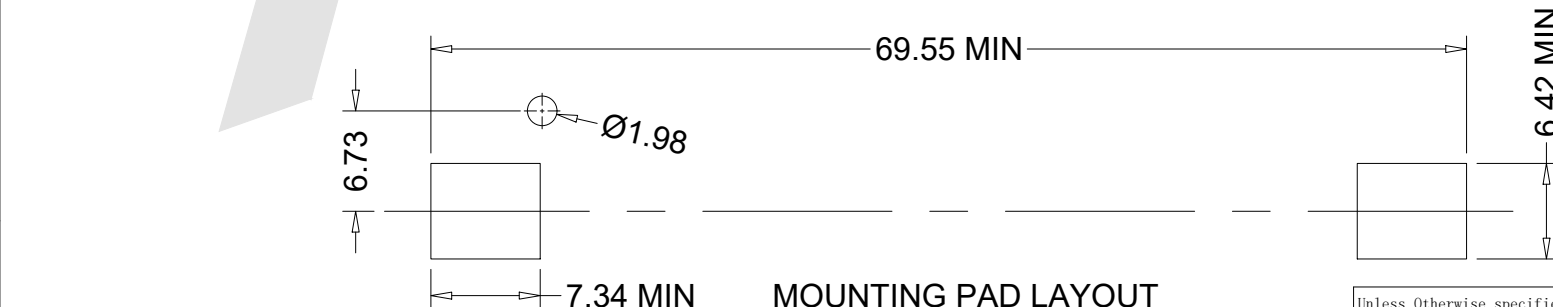
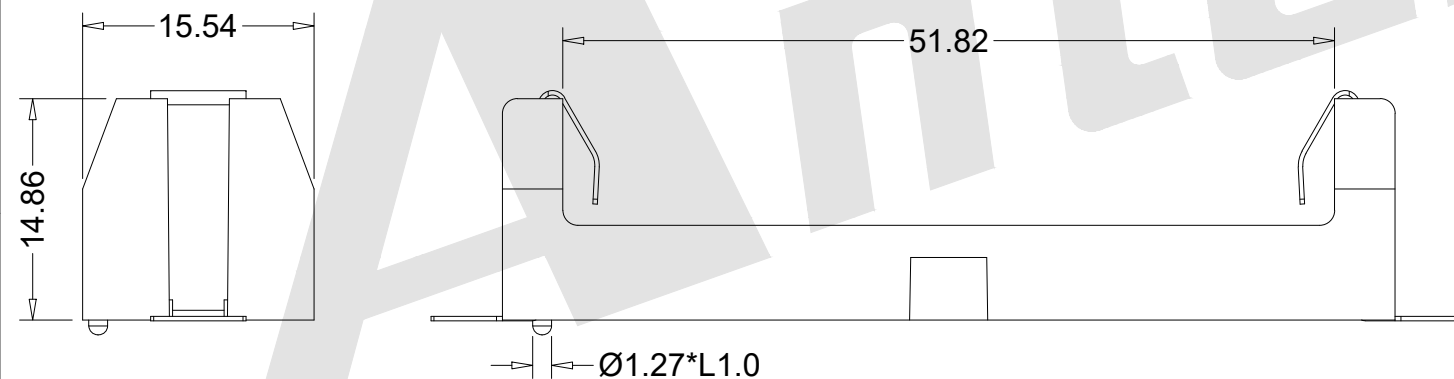
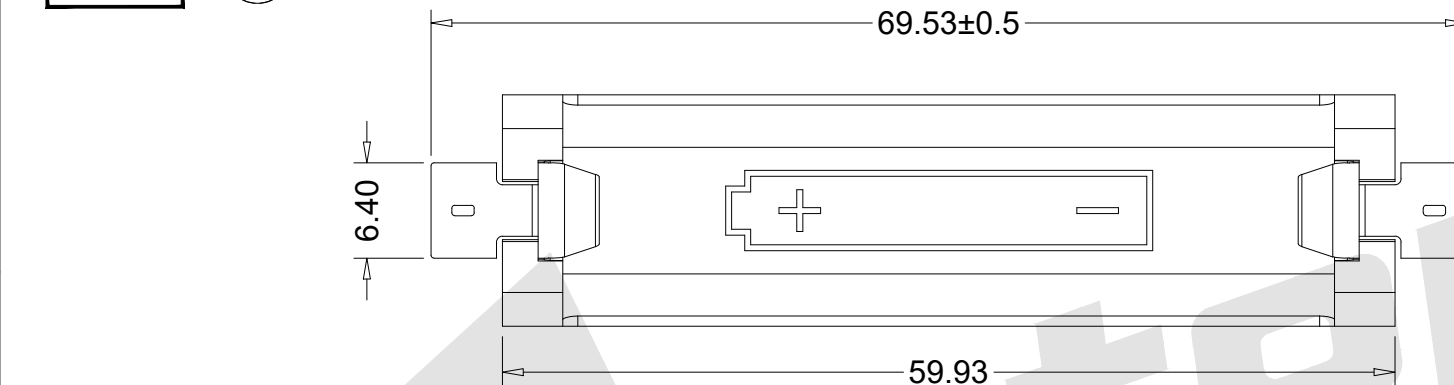
① BBC:Battery Holders

② Apperance for the product
M:SMT TYPE

③ Contact Plating
 NI: Nickel SN: Tin
 G0:Gold flash G3:3U"Gold
 G5:5U"Gold G10:10U"Gold
 G15:15U"Gold G30:30U"Gold

④ Packing Method
 A:Tray
 B:BAG

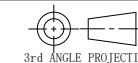
⑤ Product Number:
 1AA-024



MOUNTING PAD LAYOUT

Unless Otherwise specified tolerance
 X. ±0.35 X.XX: ±0.20
 X.X: ±0.25 X.XXX: ±0.15

SCALE: As Shown UNIT: mm
 DRAW GONG FENG DATE 10/02/2022
 CHECK BobYang DATE 29/03/2019



Antenk® ANTENK ELECTRONICS CO.,LTD
[Http://www.antenk.com](http://www.antenk.com)
 E-mail:sales@antenk.com

TITLE:
SINGLE AA BATTERY HOLDER SMT

DRAWING NO:BBC-M-G0-A-1AA-024

PRODUCT NO:BBC-M-G0-A-1AA-024

REV	DESCRIPTION	DATE
1		