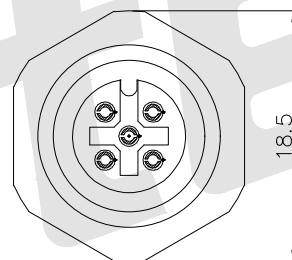
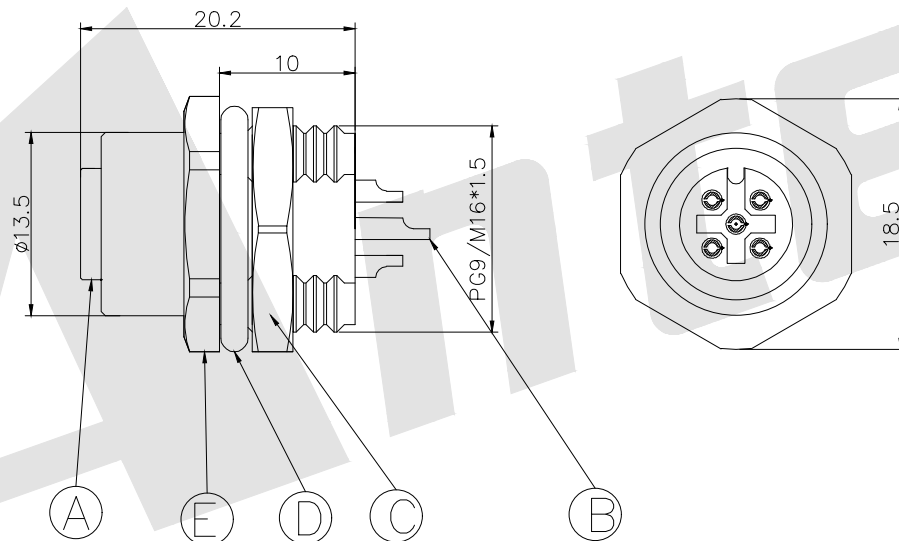
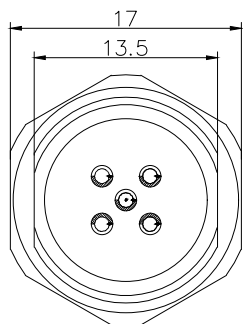


HSF



	2 Pin	3 Pin	4 Pin	5 Pin	6 Pin	7 Pin	8 Pin
A-CODE							
B-CODE							
D-CODE							



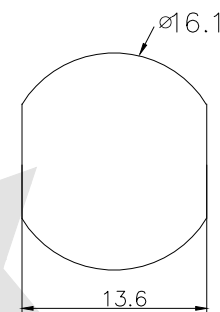
Order Code:

M1202 - X - XP - F - 004
 ① ② ③ ④ ⑤

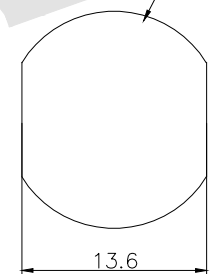
- ① Type of M series: M1202
- ② Code Option: A B D
- ③ NO. of PINS: 02~08
- ④ Gender option: Female
- ⑤ Series number: 004

Recommended Panel

Cut-out M16



PG9 $\varnothing 15.4$



Engagement force	≤30N	Rated voltage	2-5pin: 60v DC 6-8pin: 30V DC
Isengagement force	≥5N	Rated current	2-5pin: 4A 6-8pin: 2A
mechanical lifespan	≥500	Insulation resistance	≥1000 MΩ
IP rating	IP67/IP68	Contact resistance	≤10mΩ
Flammability	UL94 v-0	Operation Temperature	-40 TO+105℃

E	Over Mold	1	NICKL PLATED BRASS
D	O RING	1	SILIGONE RED
C	NUT	1	NICKL PLATED BRASS
B	Female PIN	/	PHOSPHOR BRONZE GOLD PLATING OVER NICKEL PLATING
A	BODY	1	PA66+GF BLACK
Item	PART NAME	QTY	MATERIAL /FINISH

Unless Otherwise specified tolerance
 X.±0.35 X.XX:±0.20
 X.X:±0.25 X.XXX:±0.15

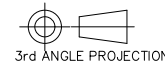
SCALE: As Shown	UNIT: mm
DRAW ZLA	DATE 24/05/2022
CHECK BobYang	DATE 24/05/2022

Antenk ANTENK ELECTRONICS CO.,LTD
 Http://www.antenk.com
 E-mail:sales@antenk.com

TITLE: M12 2~8P Female Waterproof Wire Side Lock Back Panel PG9 M16 SW17T

DRAWING NO: M1202-X-XP-F-004

PRODUCT NO: M1202-X-XP-F-004



REV	DESCRIPTION	DATE