

HSF



ROHS

Notes:

1. Material:

Housing: PBT/LCP Black/White.
 Sheathing: LCP.
 Terminal: Phosphor Bronze.
 Shell: SPCC.

2. Plating:

Terminal: Gold Plated on Contact Area, Tin Plated 50u" Min on Soldered Area.
 Shell: Nickel Plated 30u" MIN.

2. Electrical Specification:

Operation Voltage: 40 VAC max'
 Current Rating: 0.5Ampere per contact
 Contact Resistance: 30mΩ max
 Insulation Resistance: 100MΩ min;
 Dielectric Withstanding Voltage: 500VAC

3. Environmental:

Operating Temperature: -20°C to +85°C;

Ordering Code:

DP - F - X - X - 17
 ① ② ③ ④ ⑤

① Series No:

② Male / female:
 F: female

③ Contact Plating:

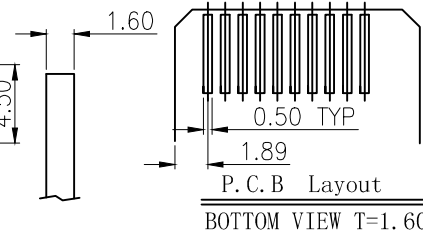
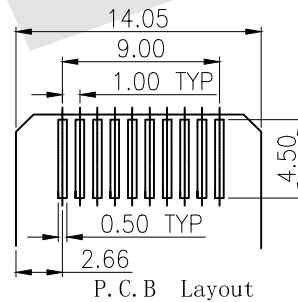
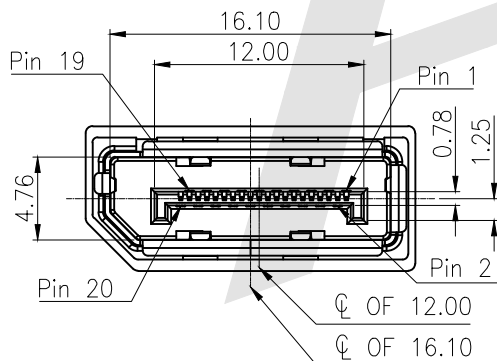
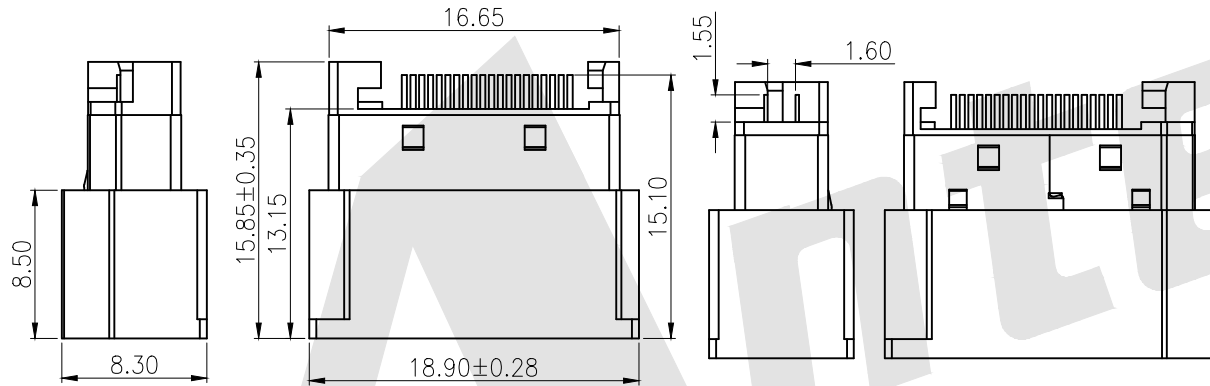
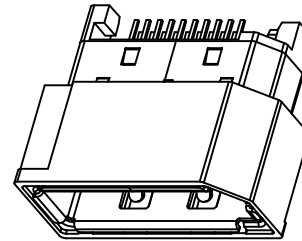
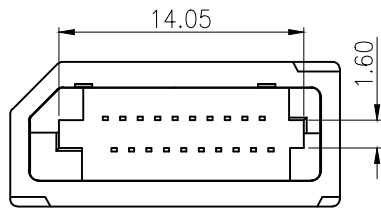
- 1: Selective 1u"
- 2: Selective 3u"
- 3: Selective 5u"
- 4: Selective 15u"
- 5: Selective 30u"
- 6: All Gold

④ Shell Plating:

- 1: Nickel Plated
- 2: Tin-Nickel Plated
- 3: Gold Plated

⑤ Series Numer:

17

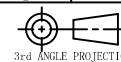


Unless Otherwise specified tolerance
 X. ±0.35 X.XX: ±0.20
 X.X: ±0.25 X.XXX: ±0.15

SCALE: As Shown UNIT: mm

DRAW ZLA DATE 26/03/2022

CHECK BobYang DATE 26/03/2022



Antenk ANTEK ELECTRONICS CO., LTD
 Http://www.antenk.com
 E-mail:sales@antenk.com

TITLE:
 Display Port Straddle Female Square Sticking
 With Sheathing

DRAWING NO: DP-FXX17

PRODUCT NO: DP-FXX17

REV DESCRIPTION DATE

1 2 3 4 5 6 7 8