

HSF

RoHS

NOTES:
1. BASE:LCP

Ordering Code:

FT - B - B - B - F3523-1
① ② ③ ④ ⑤

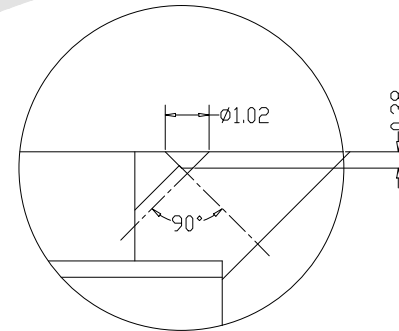
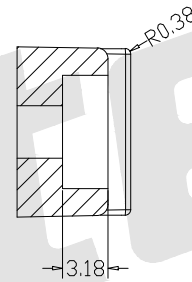
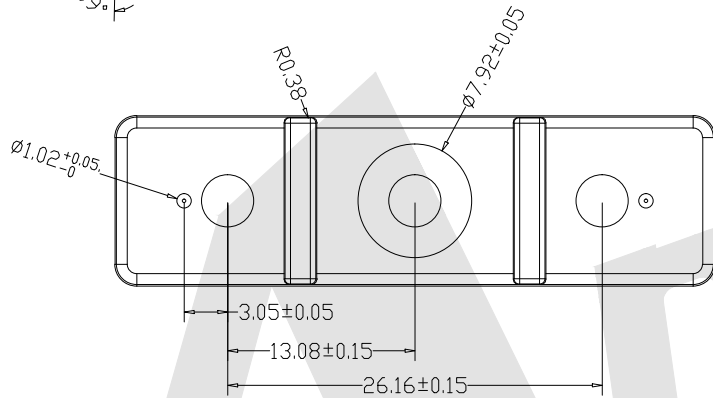
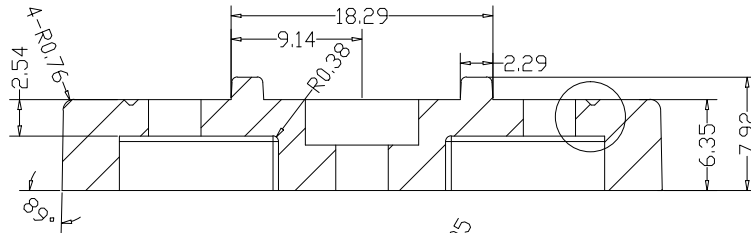
① FT:Fuse Holder

④ Packing Method
B:Bag Packing

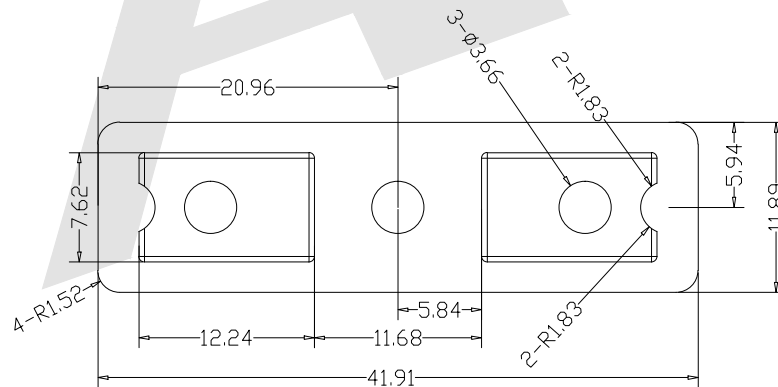
② Housing Material:
B:LCP

⑤ Serial Number:
F3523-1

③ Color:
B:Black



比例 3: 1



Unless Otherwise specified tolerance
X. ±0.35 X.XX: ±0.20
X.X: ±0.25 X.XXX: ±0.15

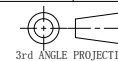
Antenk ANTENK ELECTRONICS CO., LTD
Http://www.antenk.com
E-mail:sales@antenk.com

SCALE: As Shown UNIT: mm
DRAW TMX DATE 11/23/2021
CHECK BobYang DATE 11/23/2021

TITLE:
Fuse Holder For- F3523-1

DRAWING NO: FT-B-B-B-F3523-1

PRODUCT NO: FT-B-B-B-F3523-1



REV	DESCRIPTION	DATE
1		