

HSF



SPECIFICATIONS

- Voltage rating: 50V AC/DC
- Current rating: 1A, AC, DC
- Withstanding Voltage: 500V AC/minute
- Insulation resistance: 100MΩ min
- Temperature range: -40°C~+105°C

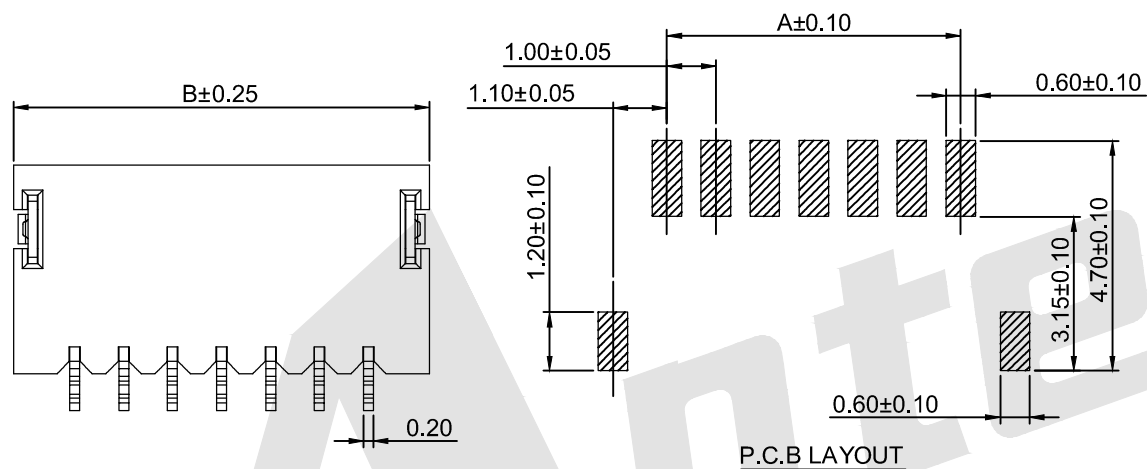
WAFER

- Part NO: AW1002RA-S-xP
- Material: Pin: Brass/Tin over Nickel
Solder Tabs: Brass/Tin over Nickel
Insulator: Nylon 6T, UL94V-0
- Mates with: AH1002A-xP series Single Row Housing
- Color: Ivory

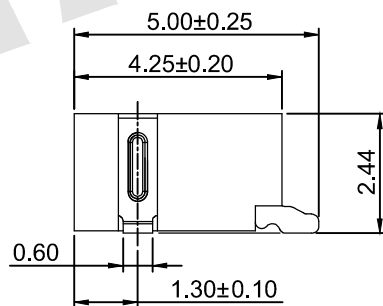
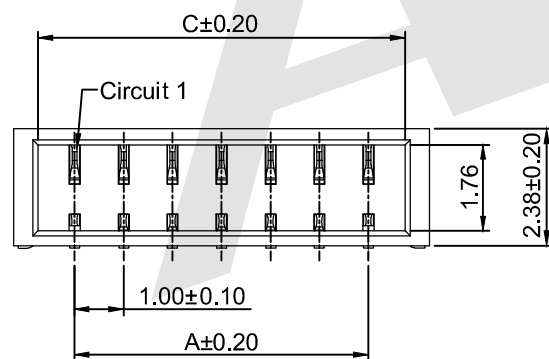
Ordering Information & Dimensions:

Part No.	Dimensions (mm)		
	A	B	C
AW1002RA-S-02P	1.00	3.50	2.50
AW1002RA-S-03P	2.00	4.50	3.50
AW1002RA-S-04P	3.00	5.50	4.50
AW1002RA-S-05P	4.00	6.50	5.50
AW1002RA-S-06P	5.00	7.50	6.50
AW1002RA-S-07P	6.00	8.50	7.50
AW1002RA-S-08P	7.00	9.50	8.50
AW1002RA-S-09P	8.00	10.50	9.50
AW1002RA-S-10P	9.00	11.50	10.50
AW1002RA-S-11P	10.00	12.50	11.50
AW1002RA-S-12P	11.00	13.50	12.50
AW1002RA-S-13P	12.00	14.50	13.50
AW1002RA-S-14P	13.00	15.50	14.50
AW1002RA-S-15P	14.00	16.50	15.50
AW1002RA-S-16P	15.00	17.50	16.50
AW1002RA-S-17P	16.00	18.50	17.50
AW1002RA-S-18P	17.00	19.50	18.50
AW1002RA-S-19P	18.00	20.50	19.50
AW1002RA-S-20P	19.00	21.50	20.50

Unit: mm



P.C.B LAYOUT



Unless Otherwise specified tolerance
 X. ±0.35 X.XX: ±0.20
 X.X: ±0.25 X.XXX: ±0.15



ANTENK ELECTRONICS CO., LTD
[Http://www.antenk.com](http://www.antenk.com)
 E-mail: sales@antenk.com

SCALE: As Shown UNIT: mm
 DRAW: Jack Bao DATE: 10/23/2017
 CHECK: Bob Yang DATE: 10/23/2017

TITLE: 1.00mm pitch 90° Single Row Wafer-SMT Connector Series



DRAWING NO: AW1002RA-S-xP
 PRODUCT NO: AW1002RA-S-xP

REV	DESCRIPTION	DATE
1		
2		
3		
4		
5		