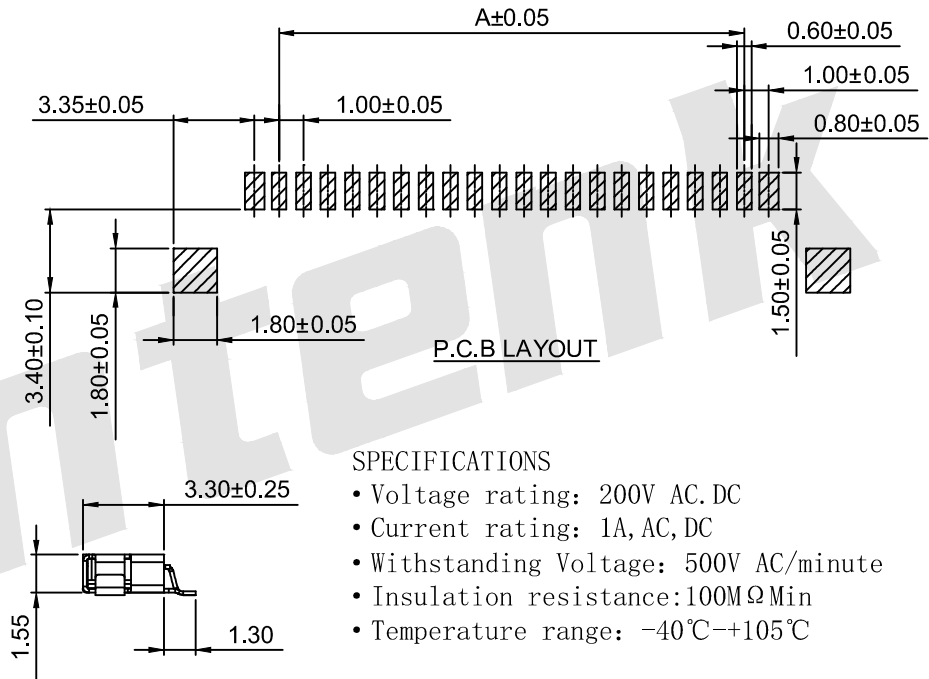
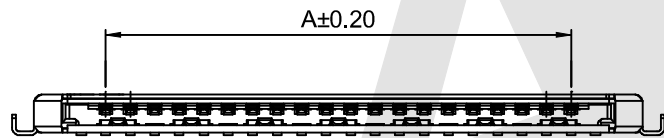
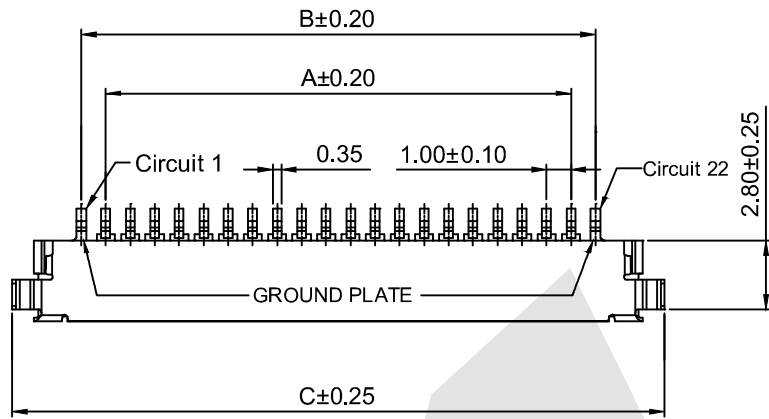


HSF



SPECIFICATIONS

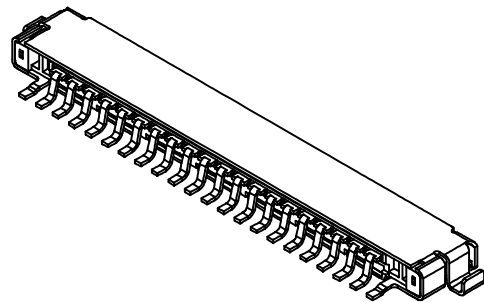
- Voltage rating: 200V AC, DC
- Current rating: 1A, AC, DC
- Withstanding Voltage: 500V AC/minute
- Insulation resistance: 100MΩ Min
- Temperature range: -40°C~+105°C

WAFER

- Part NO: AW1001R-S-xP
- Material: Pin: Phosphor Bronze/Tin over Nickel on solder area
Gold over Nickel on contact area
Shell: Phosphor Bronze/Tin over Nickel
Insulator: Nylon 6T, UL94V-0
- Mates with: AH1001-xP series Housing
- Color: Ivory

Ordering Information & Dimensions:

Part NO	Dimensions (mm)		
	A	B	C
AW1001R-S-20P	19.00	21.88	26.65
AW1001R-S-30P	29.00	31.88	36.65

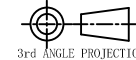


Unless otherwise specified tolerance
 X. ±0.35 X.XX: ±0.20
 X.X: ±0.25 X.XXX: ±0.15

Antenk® ANTENK ELECTRONICS CO., LTD
[Http://www.antenk.com](http://www.antenk.com)
 E-mail: sales@antenk.com

SCALE: As Shown UNIT: mm
 DRAW Jack Bao DATE 10/09/2017
 CHECK Bob Yang DATE 10/09/2017

TITLE: 1.00mm pitch 90° Wafer-SMT Connector Series



DRAWING NO: AW1001R-S-xP

PRODUCT NO: AW1001R-S-xP

REV	DESCRIPTION	DATE